



# BRAKE PAD

## P 50 120

The P 50 120 brake pad is synonymous with reliability

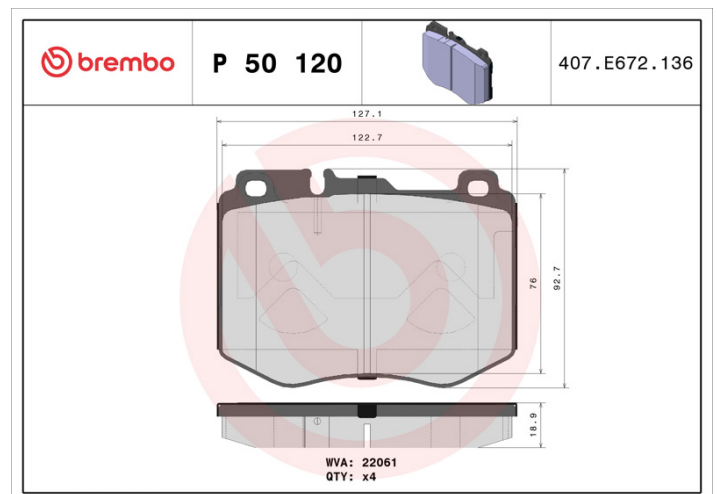
The Brembo brake pad guarantees ultimate safety when braking thanks to the use of more than 100 different compounds, designed according to the type of vehicle and use. Stopping distances reduced to a minimum, maximum driving comfort and silent operation are the most important features of Brembo materials. Brembo brake pads are supplied together with an extensive range of accessories and assembly kits for professional-standard installation.

- ✓ OE-equivalent
- ✓ Brembo quality
- ✓ ECE-R90 certificate
- ✓ Safety
- ✓ Performance
- ✓ Comfort



### Technical specifications

EAN code	Axle	Thickness
<b>8020584112632</b>	<b>Front</b>	<b>19 mm</b>
Width	Height	Braking system
<b>128 mm</b>	<b>93 mm</b>	<b>Brembo</b>
Wear indicator	WVA number	
<b>Prepared for wear indicator</b>	<b>22061</b>	



COMPATIBLE VEHICLES

## COMPATIBLE OE PART NUMBERS

0004206700 MERCEDES-BENZ

---

0004208000 MERCEDES-BENZ

---

0004208203 MERCEDES-BENZ

---

0004208600 MERCEDES-BENZ

---

0004208803 MERCEDES-BENZ

---

0084201820 MERCEDES-BENZ

---

008420182064 MERCEDES-BENZ

---

0084201920 MERCEDES-BENZ

---

A0004206700 MERCEDES-BENZ

---

A0004208203 MERCEDES-BENZ

---

A0004209603 MERCEDES-BENZ

---

A008420182064 MERCEDES-BENZ

---

A0084201920 MERCEDES-BENZ

---