



BRAKE PAD

P 65 009

The P 65 009 brake pad is synonymous with reliability

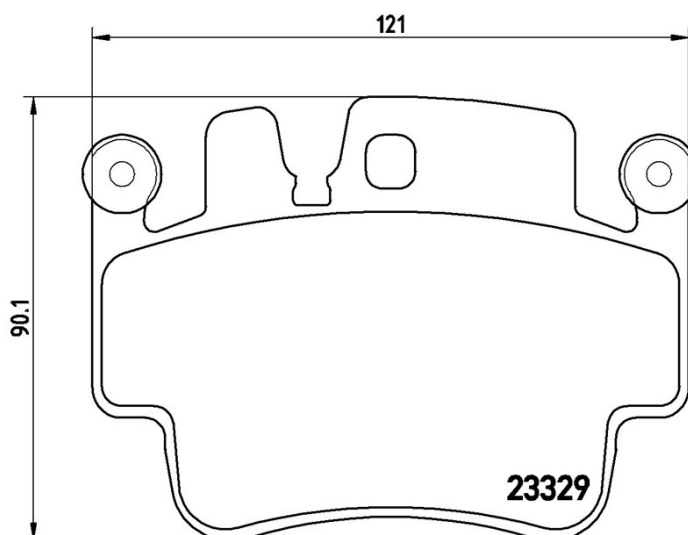
The Brembo brake pad guarantees ultimate safety when braking thanks to the use of more than 100 different compounds, designed according to the type of vehicle and use. Stopping distances reduced to a minimum, maximum driving comfort and silent operation are the most important features of Brembo materials. Brembo brake pads are supplied together with an extensive range of accessories and assembly kits for professional-standard installation.

- ✓ OE-equivalent
- ✓ Brembo quality
- ✓ ECE-R90 certificate
- ✓ Safety
- ✓ Performance
- ✓ Comfort



Technical specifications

EAN code	Axle	Thickness
8020584059876	Front and rear	17 mm
Width	Height	Braking system
121 mm	90 mm	Brembo
Wear indicator	WVA number	
Prepared for wear indicator	23329	



COMPATIBLE VEHICLES

COMPATIBLE OE PART NUMBERS

99635193014 PORSCHE

99635193015 PORSCHE

99635193914 PORSCHE

99635193915 PORSCHE

99635193916 PORSCHE

99635193930 PORSCHE

99635198000 PORSCHE

99635198001 PORSCHE

99635293091 PORSCHE

99635294890 PORSCHE

99635294902 PORSCHE

99635294903 PORSCHE

99635294904 PORSCHE

99635294930 PORSCHE
