



# BRAKE PAD

## P 65 016

The P 65 016 brake pad is synonymous with reliability

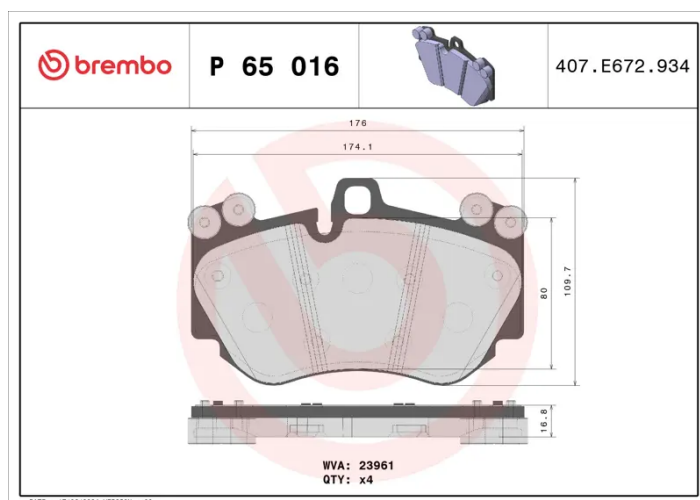
The Brembo brake pad guarantees ultimate safety when braking thanks to the use of more than 100 different compounds, designed according to the type of vehicle and use. Stopping distances reduced to a minimum, maximum driving comfort and silent operation are the most important features of Brembo materials. Brembo brake pads are supplied together with an extensive range of accessories and assembly kits for professional-standard installation.

- ✓ OE-equivalent
- ✓ Brembo quality
- ✓ ECE-R90 certificate
- ✓ Safety
- ✓ Performance
- ✓ Comfort



### Technical specifications

EAN code <b>8020584061879</b>	Axle <b>Front</b>	Thickness <b>17 mm</b>
Width <b>176 mm</b>	Height <b>110 mm</b>	Braking system <b>Brembo</b>
Wear indicator <b>Prepared for wear indicator</b>	WVA number <b>23961</b>	Accessories <b>With anti-squeal shim With counterweights</b>



COMPATIBLE VEHICLES

## COMPATIBLE OE PART NUMBERS

7L5698151	AUDI
95535193950	PORSCHE
95535193951	PORSCHE
95535193952	PORSCHE
95535193953	PORSCHE
95535193954	PORSCHE
7L5698151	SEAT
7L5698151	SKODA
7L5698151	VW
7L5698151H	VW