



# BRAKE PAD

## P 68 059

The P 68 059 brake pad is synonymous with reliability

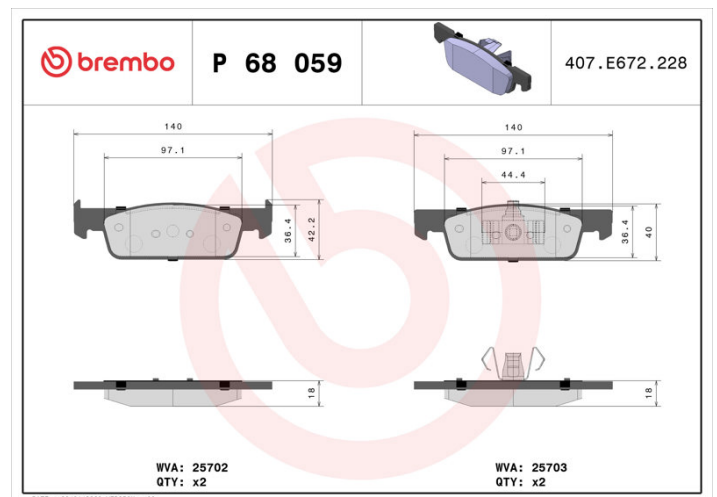
The Brembo brake pad guarantees ultimate safety when braking thanks to the use of more than 100 different compounds, designed according to the type of vehicle and use. Stopping distances reduced to a minimum, maximum driving comfort and silent operation are the most important features of Brembo materials. Brembo brake pads are supplied together with an extensive range of accessories and assembly kits for professional-standard installation.

- ✓ OE-equivalent
- ✓ Brembo quality
- ✓ ECE-R90 certificate
- ✓ Safety
- ✓ Performance
- ✓ Comfort



### Technical specifications

EAN code <b>8020584109656</b>	Axle <b>Front</b>	Thickness <b>18 mm</b>
Width <b>140 mm</b>	Height <b>40 mm</b>	Braking system <b>Teves</b>
Wear indicator <b>Without</b>	WVA number <b>25702,25703</b>	Accessories <b>With piston clip</b>



COMPATIBLE VEHICLES

## COMPATIBLE OE PART NUMBERS

410605612R	DACIA
------------	-------

410605951R	DACIA
------------	-------

410602581R	RENAULT
------------	---------

410605612R	RENAULT
------------	---------

410605951R	RENAULT
------------	---------

410606032R	RENAULT
------------	---------

410608708R	RENAULT
------------	---------

8660005283	RENAULT
------------	---------

4534200700	SMART
------------	-------

4534210000	SMART
------------	-------

4534210010	SMART
------------	-------

4534210100	SMART
------------	-------

4534211400	SMART
------------	-------

4534212000	SMART
------------	-------

A4534200700	SMART
-------------	-------

A4534210000	SMART
-------------	-------

A4534210010	SMART
-------------	-------

A4534210100	SMART
-------------	-------

A4534211400	SMART
-------------	-------

A4534211900	SMART
-------------	-------

A4534212000	SMART
-------------	-------