



# LA BRAKE PAD 07BB37LA

The 07BB37LA brake pad is synonymous with reliability

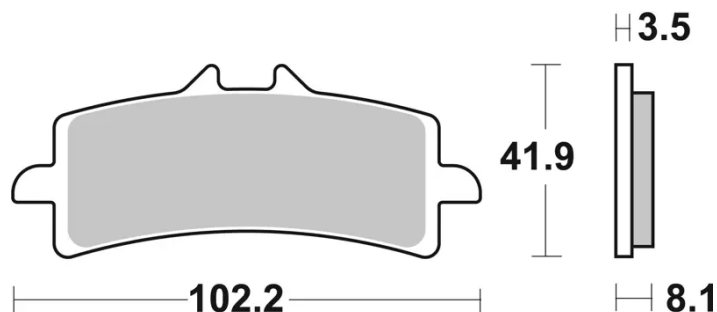
sintered compound, specifically for front-wheel applications, characterised by good performance and stability paired with excellent durability

- ✓ OE-equivalent
- ✓ Brembo quality
- ✓ ECE-R90 certificate
- ✓ Safety
- ✓ Performance
- ✓ Comfort
- ✓ Durability



## Technical specifications

|                           |                           |                            |
|---------------------------|---------------------------|----------------------------|
| Width<br>mm               | Height<br><b>41,86</b> mm | Thickness<br><b>8,1</b> mm |
| Compound<br><b>Sinter</b> | Units per box<br><b>2</b> |                            |



COMPATIBLE VEHICLES