



BRAKE PAD NAO P10006N

The P10006N NAO brake pad is synonymous with reliability

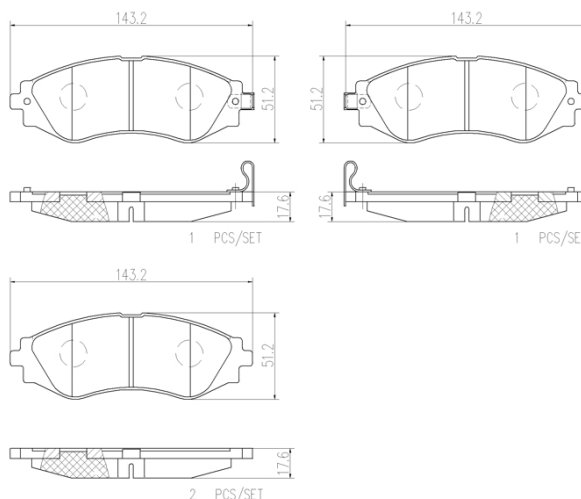
Brembo NAO brake pads stand out for their ultimate braking comfort, reduced friction wear and low dust mission, which makes for cleaner rims and reduced maintenance requirements. The advanced friction material in keeping with the strictest environmental standards is the main distinguishing feature of NAO compounds.

- ✓ OE-equivalent
- ✓ Brembo quality
- ✓ Safety
- ✓ Comfort
- ✓ Durability
- ✓ Dust reduction
- ✓ With accessories



Technical specifications

EAN code 8020584085899	Axle Front	Thickness 18 mm
Width 143 mm	Height 51 mm	Braking system Sumitomo
Wear indicator Acoustic	WVA number 24062,24063,24064	Accessories With anti-squeal shim



COMPATIBLE VEHICLES

COMPATIBLE OE PART NUMBERS

96245178	CHEVROLET
----------	-----------

96253367	CHEVROLET
----------	-----------

96253382	CHEVROLET
----------	-----------

96253383	CHEVROLET
----------	-----------

96391891	CHEVROLET
----------	-----------

96475176	CHEVROLET
----------	-----------

54510014	CHEVROLET
----------	-----------

54510018	CHEVROLET
----------	-----------

54510020	CHEVROLET
----------	-----------

96446742	DAEWOO
----------	--------

96495164	DAEWOO
----------	--------

96843089	DAEWOO
----------	--------