



# BRAKE PAD PRIME CERAMIC P23175N

The P23175N NAO brake pad is synonymous with reliability

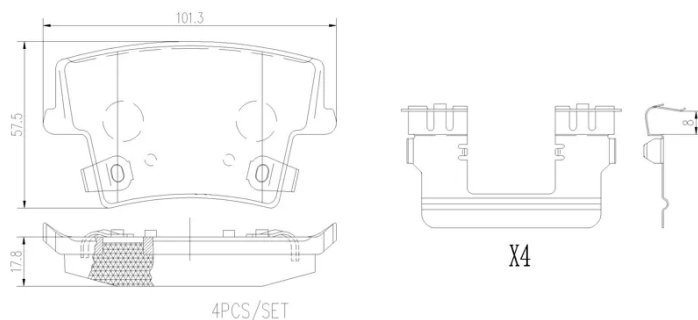
Brembo NAO brake pads stand out for their ultimate braking comfort, reduced friction wear and low dust mission, which makes for cleaner rims and reduced maintenance requirements. The advanced friction material in keeping with the strictest environmental standards is the main distinguishing feature of NAO compounds.

- ✓ OE-equivalent
- ✓ Brembo quality
- ✓ Safety
- ✓ Comfort
- ✓ Durability
- ✓ Dust reduction
- ✓ With accessories



## Technical specifications

EAN code <b>8020584085783</b>	Axle <b>Rear</b>	Thickness <b>18 mm</b>
Width <b>101 mm</b>	Height <b>58 mm</b>	Braking system <b>Bosch</b>
Wear indicator <b>Acoustic</b>	WVA number <b>24163</b>	Accessories <b>With anti-squeal shim</b>



COMPATIBLE VEHICLES

## COMPATIBLE OE PART NUMBERS

05139191AA CHRYSLER

---

05142561AA CHRYSLER

---

05142566AA CHRYSLER

---

05142566AB CHRYSLER

---

05142566AC CHRYSLER

---

5139191AA CHRYSLER

---

5142561AA CHRYSLER

---

5142566AA CHRYSLER

---

5142566AB CHRYSLER

---

5142566AC CHRYSLER

---

K05142566AC CHRYSLER

---

5142566AC DODGE

---

K05142561AA FIAT

---

K05142566AB FIAT

---

K05139191AA LANCIA

---

K05142561AB LANCIA

---

K05142566AA LANCIA

---

K05142566AB LANCIA

---

K05142566AC LANCIA

---