



BRAKE DISC MAX

08.B413.75

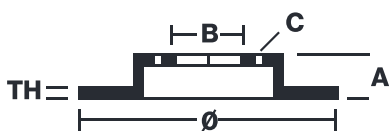
The 08.B413.75 Max brake disc is synonymous with reliability

The Brembo Max brake disc features grooves on the braking surface. The special shape of the grooves generates greater fading resistance and constant renewal of friction material, quickly restoring optimum braking conditions. The UV paint completes the sporty look.

- ✓ Brembo quality
- ✓ ECE-R90 certificate
- ✓ Performance
- ✓ Sports driving
- ✓ Sporty look
- ✓ Anti-corrosion
- ✓ Fastening screws



Technical specifications



EAN code
8020584319697

Axle
Rear

Diameter \varnothing
272 mm

Thickness (TH)
10 mm

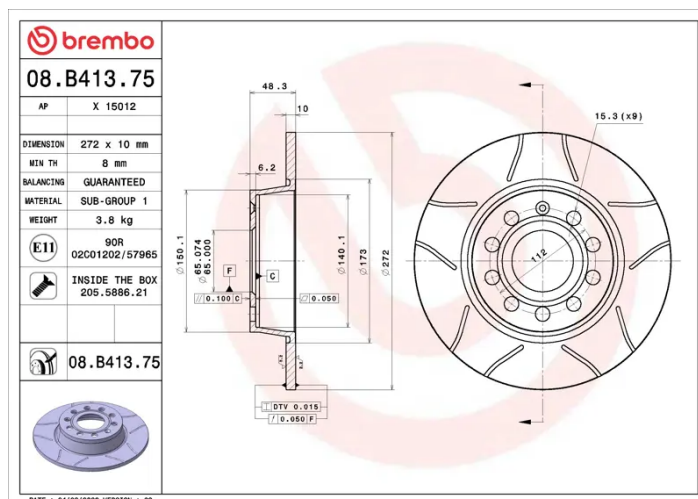
Height (A)
48,3 mm

Number of holes (C)
9

Brake disc type
Solid

Centering (B)
65 mm

Min. thickness
8 mm



COMPATIBLE VEHICLES

COMPATIBLE OE PART NUMBERS

1K0615601AA	AUDI
-------------	------

5Q0615601D	AUDI
------------	------

5Q0615601D	AUDI (FAW)
------------	------------

L5QD615601A	AUDI (FAW)
-------------	------------

5Q0615601D	CUPRA
------------	-------

L5QD615601A	JETTA
-------------	-------

1K0615601AA	SEAT
-------------	------

5Q0615601D	SEAT
------------	------

1K0615601AA	SKODA
-------------	-------

5Q0615601D	SKODA
------------	-------

1K0615601AA	VW
-------------	----

561615601	VW
-----------	----

561615601A	VW
------------	----

5Q0615601D	VW
------------	----

5QM615601C	VW
------------	----

1K0615601AA	VW (FAW)
-------------	----------

5Q0615601D	VW (FAW)
------------	----------

L5QD615601A	VW (FAW)
-------------	----------