



# BRAKE DISC

## 08.B605.10

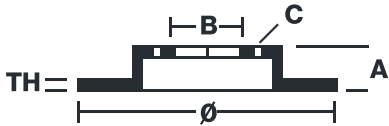
The **08.B605.10** brake disc is synonymous with reliability

The Brembo brake disc is fully interchangeable with an Original Equipment brake disc. The control of the entire production cycle allows Brembo to offer brake discs with outstanding performance levels, reliability, durability and comfort in all conditions of use. All Brembo brake discs are accompanied by the ECE-R90 homologation.

- ✓ OE-equivalent
- ✓ Brembo quality
- ✓ ECE-R90 certificate
- ✓ Safety
- ✓ High carbon
- ✓ Fastening screws



### Technical specifications



EAN code  
**8020584030547**

Axle  
**Rear**

Diameter Ø  
**302 mm**

Thickness (TH)  
**11 mm**

Height (A)  
**72 mm**

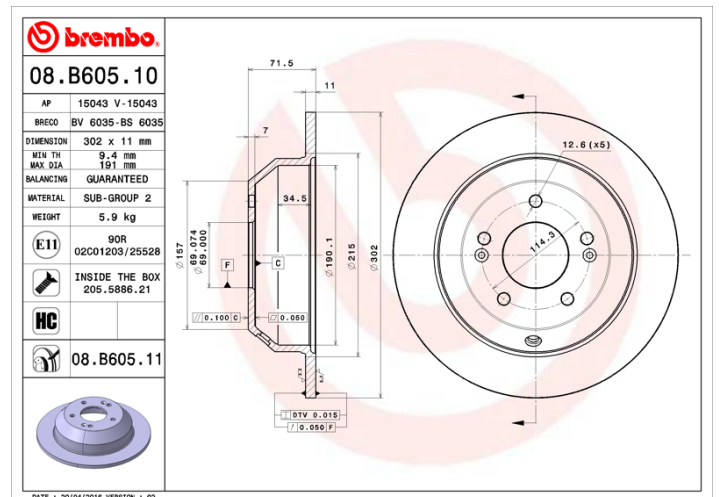
Number of holes (C)  
**5**

Brake disc type  
**Solid**

Centering (B)  
**69 mm**

Min. thickness  
**9,4 mm**

Tightening torque  
**100 Nm**



COMPATIBLE VEHICLES

## COMPATIBLE OE PART NUMBERS

584112P000	HYUNDAI
584112W010	HYUNDAI
5584112P000	HYUNDAI
584112W010	HYUNDAI (BEIJING)
584112P000	INOKOM
584112W010	INOKOM
584112P000	KIA
584112W010	KIA (DYK)