



# BRAKE DISC

## 09.6893.14

The 09.6893.14 brake disc is synonymous with reliability

The Brembo brake disc is fully interchangeable with an Original Equipment brake disc. The control of the entire production cycle allows Brembo to offer brake discs with outstanding performance levels, reliability, durability and comfort in all conditions of use. All Brembo brake discs are accompanied by the ECE-R90 homologation.

- ✓ OE-equivalent
- ✓ Brembo quality
- ✓ ECE-R90 certificate
- ✓ Safety
- ✓ Fastening screws



### Technical specifications



EAN code  
**8020584016367**

Axle  
**Front**

Diameter Ø  
**282 mm**

Thickness (TH)  
**23 mm**

Height (A)  
**47 mm**

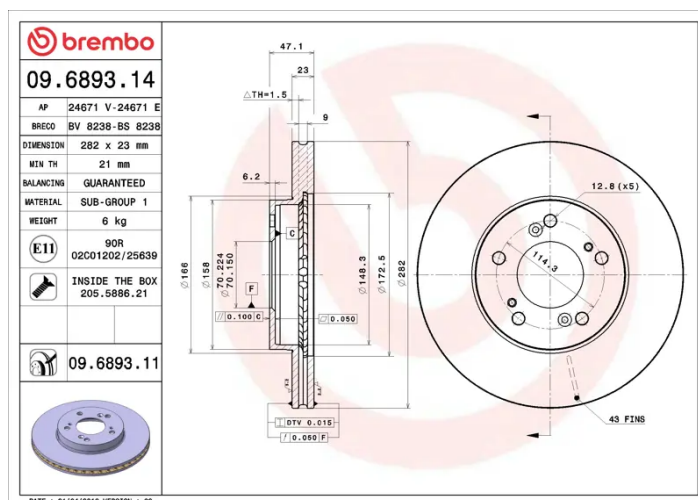
Number of holes (C)  
**5**

Brake disc type  
**Ventilated**

Centering (B)  
**70 mm**

Min. thickness  
**21 mm**

Tightening torque  
**108 Nm**



COMPATIBLE VEHICLES

## COMPATIBLE OE PART NUMBERS

45251S2HN00	ACURA
-------------	-------

45251SP0000	ACURA
-------------	-------

45251SZ3000	ACURA
-------------	-------

45251SZ3E00	ACURA
-------------	-------

5862030550	ACURA
------------	-------

45251S2HN00	HONDA
-------------	-------

45251SP0000	HONDA
-------------	-------

45251SZ3000	HONDA
-------------	-------

45251SZ3E00	HONDA
-------------	-------