



BRAKE DISC PAINTED

09.7043.11

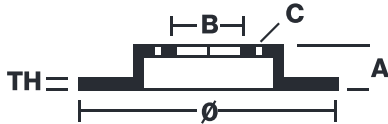
The **09.7043.11** painted brake disc is synonymous with reliability

The Brembo brake disc with special UV paint treatment guarantees superior corrosion resistance for the product, thanks to the protective coating on the outer edges and on the disc hub. The UV paint not only gives the disc a clean, shiny appearance but is also beneficial for the environment as the water-based UV paint treatment does not require the use of chemical solvents and is a low energy consumption process.

- ✓ OE-equivalent
- ✓ Brembo quality
- ✓ ECE-R90 certificate
- ✓ Safety
- ✓ Anti-corrosion

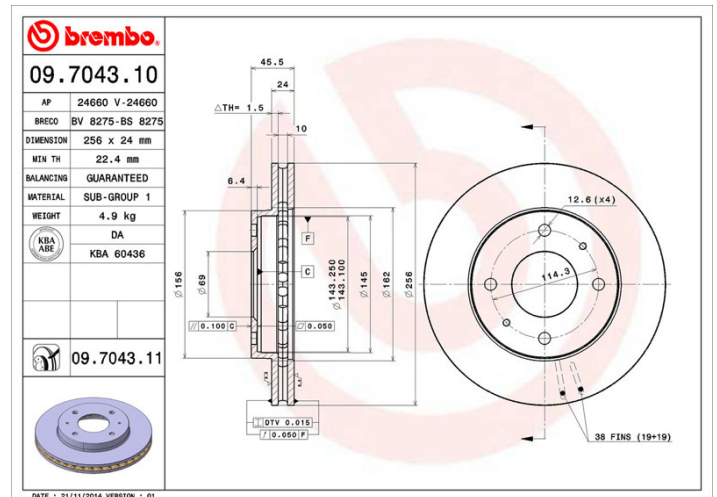


Technical specifications



| | | |
|----------------------|---------------|---------------------|
| EAN code | Axle | Diameter Ø |
| 8020584211717 | Front | 256 mm |
| Thickness (TH) | Height (A) | Number of holes (C) |
| 24 mm | 46 mm | 4 |
| Brake disc type | Centering (B) | Min. thickness |
| Ventilated | 69 mm | 22,4 mm |

Tightening torque
108 Nm



COMPATIBLE VEHICLES

COMPATIBLE OE PART NUMBERS

MB668107 DODGE

MB928995 DODGE

308729268 MITSUBISHI

MB407639 MITSUBISHI

MB668107 MITSUBISHI

MB928994 MITSUBISHI

MB928995 MITSUBISHI

MR128153 MITSUBISHI

MR205584 MITSUBISHI

MR205585 MITSUBISHI

MR389722 MITSUBISHI

MR475330 MITSUBISHI

MR955636 MITSUBISHI

MR955637 MITSUBISHI

MB928994 PROTON

MR475330 PROTON

MR955637 PROTON

PW820578 PROTON
