



# BRAKE DISC

## 09.9760.10

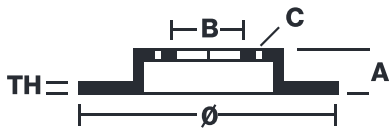
The **09.9760.10** brake disc is synonymous with reliability

The Brembo brake disc is fully interchangeable with an Original Equipment brake disc. The control of the entire production cycle allows Brembo to offer brake discs with outstanding performance levels, reliability, durability and comfort in all conditions of use. All Brembo brake discs are accompanied by the ECE-R90 homologation.

- ✓ OE-equivalent
- ✓ Brembo quality
- ✓ ECE-R90 certificate
- ✓ Safety
- ✓ PVT ventilation



### Technical specifications



EAN code  
**8020584976012**

Axle  
**Front**

Diameter Ø  
**290 mm**

Thickness (TH)  
**28 mm**

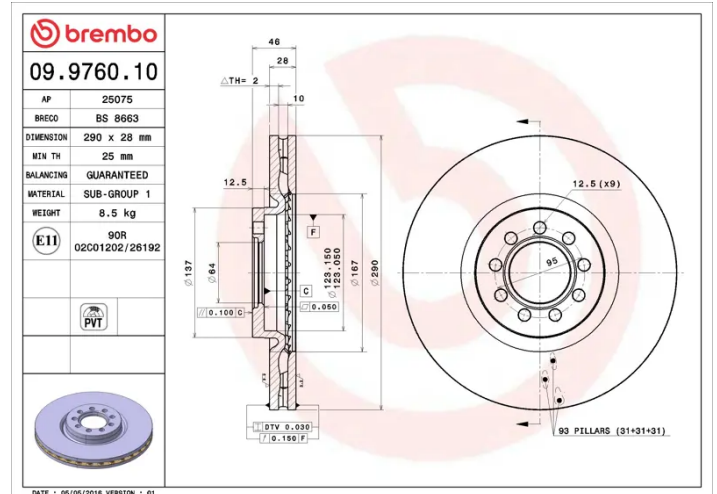
Height (A)  
**46 mm**

Number of holes (C)  
**9**

Brake disc type  
**Ventilated**

Centering (B)  
**64 mm**

Min. thickness  
**25 mm**



COMPATIBLE VEHICLES

## COMPATIBLE OE PART NUMBERS

2996121	IVECO
504121612	IVECO
5801341021	NAC IVECO (NAVECO)