



BRAKE DISC XTRA

09.A921.1X

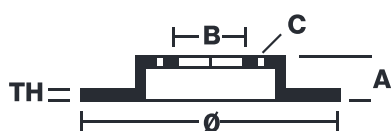
The 09.A921.1X Xtra brake disc is synonymous with reliability

The Brembo Xtra brake disc features holes on the braking surface. The holes are designed to improve the cooling of the braking system, to generate greater fading resistance and grip in the initial stages of braking. The sports look is also enhanced by the presence of the UV paint.

- ✓ Brembo quality
- ✓ ECE-R90 certificate
- ✓ Performance
- ✓ Sports driving
- ✓ Sporty look
- ✓ High carbon
- ✓ Anti-corrosion



Technical specifications



EAN code
8020584225462

Axle
Front

Diameter \varnothing
293 mm

Thickness (TH)
24 mm

Height (A)
57 mm

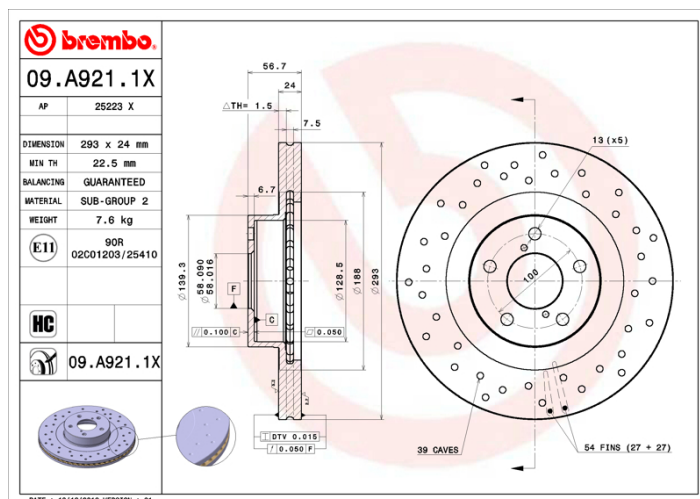
Number of holes (C)
5

Brake disc type
Ventilated

Centering (B)
58 mm

Min. thickness
22,5 mm

Tightening torque
100 Nm



COMPATIBLE VEHICLES

COMPATIBLE OE PART NUMBERS

26300AG01A	SUBARU
------------	--------

26300AG01B	SUBARU
------------	--------

26300FE040	SUBARU
------------	--------

26300SA000	SUBARU
------------	--------

26300SA001	SUBARU
------------	--------

SU00300586	TOYOTA
------------	--------