



BRAKE PAD NAO P06088N

The P06088N NAO brake pad is synonymous with reliability

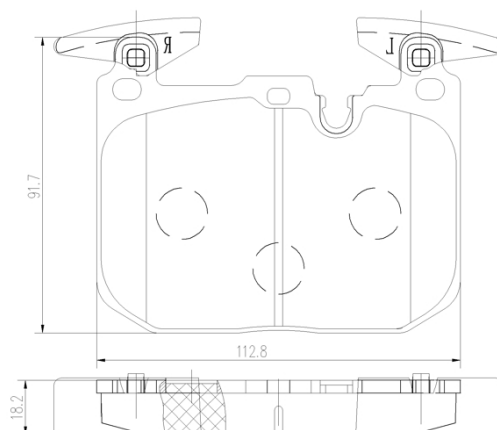
Brembo NAO brake pads stand out for their ultimate braking comfort, reduced friction wear and low dust mission, which makes for cleaner rims and reduced maintenance requirements. The advanced friction material in keeping with the strictest environmental standards is the main distinguishing feature of NAO compounds.

- ✓ OE-equivalent
- ✓ Brembo quality
- ✓ Safety
- ✓ Comfort
- ✓ Durability
- ✓ Dust reduction
- ✓ With accessories



Technical specifications

EAN code	Axle	Thickness
8020584081822	Front	18 mm
Width	Height	Braking system
115 mm	92 mm	Brembo
Wear indicator	WVA number	Accessories
Prepared for wear indicator	25028	With anti-squeal shim With counterweights



4PCS/SET

COMPATIBLE VEHICLES

COMPATIBLE OE PART NUMBERS

34106799805 BMW

34106859067 BMW

34106866072 BMW

34106878878 BMW

34112464195 BMW

34116850850 BMW

34116859066 BMW

34116866072 BMW

34116878876 BMW
