



# BRAKE PAD NAO P09004N

The P09004N NAO brake pad is synonymous with reliability

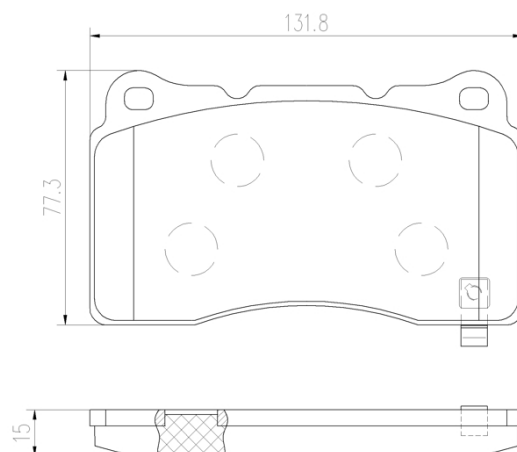
Brembo NAO brake pads stand out for their ultimate braking comfort, reduced friction wear and low dust mission, which makes for cleaner rims and reduced maintenance requirements. The advanced friction material in keeping with the strictest environmental standards is the main distinguishing feature of NAO compounds.

- ✓ OE-equivalent
- ✓ Brembo quality
- ✓ Safety
- ✓ Comfort
- ✓ Durability
- ✓ Dust reduction
- ✓ With accessories



## Technical specifications

EAN code <b>8020584082072</b>	Axle <b>Front and rear</b>	Thickness <b>15 mm</b>
Width <b>132 mm</b>	Height <b>77 mm</b>	Braking system <b>Brembo</b>
Wear indicator <b>Acoustic</b>	WVA number <b>23325</b>	Accessories <b>With anti-squeal shim</b>



4 PCS/SET

COMPATIBLE VEHICLES

## COMPATIBLE OE PART NUMBERS

89047725 CADILLAC

---

00K68232820AA CHRYSLER

---

68232820AA CHRYSLER

---

682328020AA DODGE

---

7R3Z2001A FORD USA

---

BRF1436 FORD USA

---

DR332001CC FORD USA

---

DR3Z2001A FORD USA

---

DR3Z2001C FORD USA

---

45022TGHA12 HONDA

---

45022TV8E01 HONDA

---

105506600B TESLA

---

105506600C TESLA

---

106833000A TESLA

---

106833000B TESLA

---

106833000C TESLA

---