

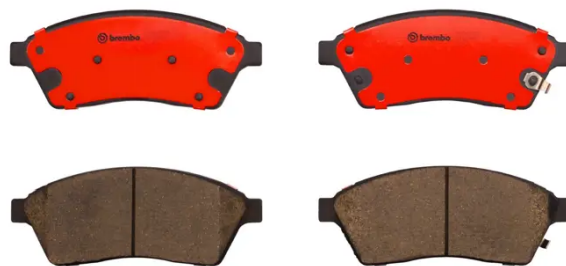


BRAKE PAD PRIME CERAMIC P09009N

The P09009N NAO brake pad is synonymous with reliability

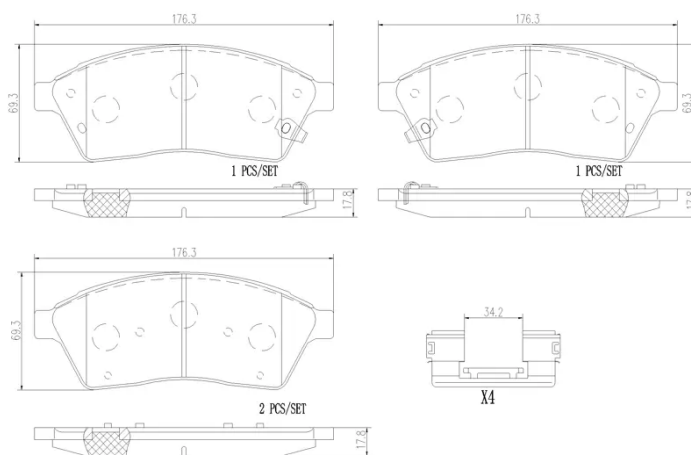
Brembo NAO brake pads stand out for their ultimate braking comfort, reduced friction wear and low dust mission, which makes for cleaner rims and reduced maintenance requirements. The advanced friction material in keeping with the strictest environmental standards is the main distinguishing feature of NAO compounds.

- ✓ OE-equivalent
- ✓ Brembo quality
- ✓ Safety
- ✓ Comfort
- ✓ Durability
- ✓ Dust reduction
- ✓ With accessories



Technical specifications

EAN code 8020584082195	Axle Front	Thickness 17 mm
Width 176 mm	Height 69 mm	Braking system Mando
Wear indicator Acoustic	WVA number 22077,22078,22079	Accessories With accessories With anti-squeal shim With piston clip



COMPATIBLE VEHICLES

COMPATIBLE OE PART NUMBERS

20872587	CADILLAC
20941707	CADILLAC
20983943	CADILLAC