



BRAKE PAD PRIME CERAMIC P24063N

The P24063N NAO brake pad is synonymous with reliability

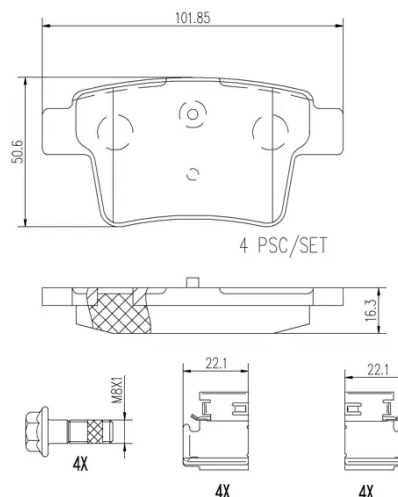
Brembo NAO brake pads stand out for their ultimate braking comfort, reduced friction wear and low dust mission, which makes for cleaner rims and reduced maintenance requirements. The advanced friction material in keeping with the strictest environmental standards is the main distinguishing feature of NAO compounds.

- ✓ OE-equivalent
- ✓ Brembo quality
- ✓ Safety
- ✓ Comfort
- ✓ Durability
- ✓ Dust reduction
- ✓ With accessories



Technical specifications

EAN code 8020584097052	Axle Rear	Thickness 16 mm
Width 102 mm	Height 51 mm	Braking system Bosch
Wear indicator Without	WVA number 24260	Accessories With brake caliper bolts With accessories With anti-squeal shim



COMPATIBLE VEHICLES

COMPATIBLE OE PART NUMBERS

1014014205 EMGRAND

4050013700 ENGLON

1356392 FORD

1521329 FORD

1522073 FORD

45712M008AA FORD

45712M008AB FORD

5F9Z2200AA FORD

ME457J2M008AB FORD

5F9Z2200B FORD USA

5U2Z2V200D FORD USA

7F9Z2200A FORD USA

8G1Z2001A FORD USA

BR1071 FORD USA

BRF1071 FORD USA

1014020060 GEELY

101402006059 GEELY

4050013700 GEELY

4050013800 GEELY

1014020060 GLEAGLE

4050013700 GLEAGLE

4050013800 GLEAGLE

C2538068 JAGUAR

C2548024 JAGUAR

C2552081 JAGUAR

5F9Z2200AA MERCURY

PC351641 PROTON

PW891182 PROTON