



BRAKE PAD NAO P37018N

The P37018N NAO brake pad is synonymous with reliability

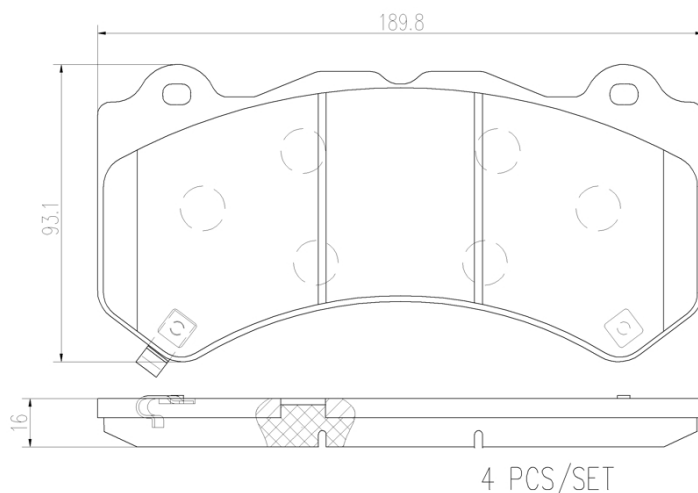
Brembo NAO brake pads stand out for their ultimate braking comfort, reduced friction wear and low dust mission, which makes for cleaner rims and reduced maintenance requirements. The advanced friction material in keeping with the strictest environmental standards is the main distinguishing feature of NAO compounds.

- ✓ OE-equivalent
- ✓ Brembo quality
- ✓ Safety
- ✓ Comfort
- ✓ Durability
- ✓ Dust reduction
- ✓ With accessories



Technical specifications

EAN code 8020584088678	Axle Front and rear	Thickness 16 mm
Width 190 mm	Height 93 mm	Braking system Brembo
Wear indicator Acoustic	WVA number 25849,25859	Accessories With anti-squeal shim



COMPATIBLE VEHICLES

COMPATIBLE OE PART NUMBERS

1225730300 BYD

1247707000 BYD

5T3501500A BYD

07859031 CADILLAC

25940447 CADILLAC

25940447 CHEVROLET

00K68248384AB DODGE

68248384AB DODGE

68248384AC DODGE

00K68144427AA JEEP

00K68144427AB JEEP

00K68303052AA JEEP

68144427AA JEEP

68144427AB JEEP

68303052AA JEEP

68507583AB JEEP

K68144427AA JEEP

K68144427AB JEEP

K68303052AA JEEP

044660W050 LEXUS

D10606HS0A NISSAN

D106080B0A NISSAN

D1060JF20B NISSAN

D1060JF20C NISSAN

D1060JF20D NISSAN

D1060KB60A NISSAN

D1M606HS0A NISSAN

D1MFM80B0J NISSAN

D400C14C10 NISSAN
