



BRAKE PAD PRIME CERAMIC P50154N

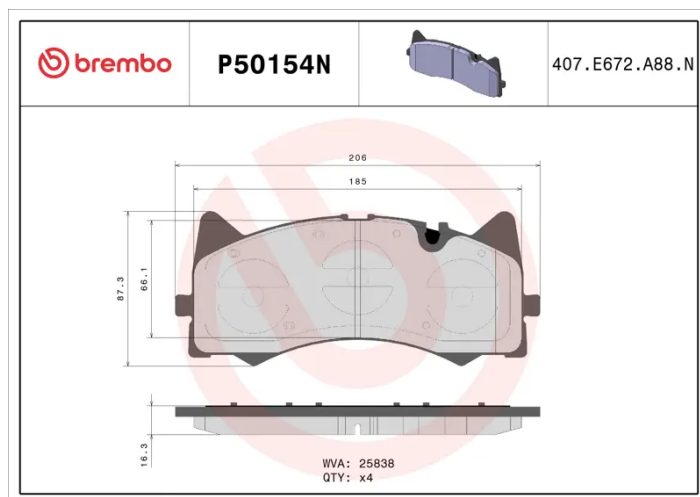
The P50154N NAO brake pad is
synonymous with reliability

Brembo NAO brake pads stand out for their ultimate braking comfort, reduced friction wear and low dust mission, which makes for cleaner rims and reduced maintenance requirements. The advanced friction material in keeping with the strictest environmental standards is the main distinguishing feature of NAO compounds.

- ✓ OE-equivalent
- ✓ Brembo quality
- ✓ Safety
- ✓ Comfort
- ✓ Durability
- ✓ Dust reduction
- ✓ With accessories

Technical specifications

EAN code	Axle	Thickness
8020584119488	Front	16 mm
Width	Height	Braking system
206 mm	87 mm	Akebono
Wear indicator	WVA number	Accessories
Without	25838	With anti-squeal shim



COMPATIBLE VEHICLES

COMPATIBLE OE PART NUMBERS

0004204700	MERCEDES-BENZ
------------	---------------

0004205004	MERCEDES-BENZ
------------	---------------

0004209400	MERCEDES-BENZ
------------	---------------

A0004204700	MERCEDES-BENZ
-------------	---------------

A0004205004	MERCEDES-BENZ
-------------	---------------

A0004209400	MERCEDES-BENZ
-------------	---------------
