



# BRAKE PAD PRIME CERAMIC P59060N

The P59060N NAO brake pad is synonymous with reliability

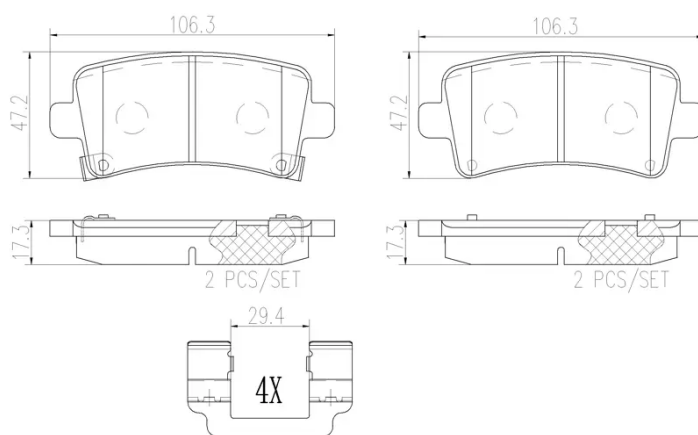
Brembo NAO brake pads stand out for their ultimate braking comfort, reduced friction wear and low dust mission, which makes for cleaner rims and reduced maintenance requirements. The advanced friction material in keeping with the strictest environmental standards is the main distinguishing feature of NAO compounds.

- ✓ OE-equivalent
- ✓ Brembo quality
- ✓ Safety
- ✓ Comfort
- ✓ Durability
- ✓ Dust reduction
- ✓ With accessories



## Technical specifications

EAN code <b>8020584081358</b>	Axle <b>Rear</b>	Thickness <b>17 mm</b>
Width <b>106 mm</b>	Height <b>47 mm</b>	Braking system <b>TRW</b>
Wear indicator <b>Acoustic</b>	WVA number <b>24421,24422</b>	Accessories <b>With anti-squeal shim</b>



**COMPATIBLE VEHICLES**

## COMPATIBLE OE PART NUMBERS

13237767	BUICK
13338368	BUICK
16586609	BUICK
22846360	BUICK
84144898	BUICK
84144898	CADILLAC
22846362	CHEVROLET
84144898	CHEVROLET
13237766	GENERAL MOTORS
13338368	GENERAL MOTORS
13343451	GENERAL MOTORS
1605104	GENERAL MOTORS
1605179	GENERAL MOTORS
1605223	GENERAL MOTORS
1605366	GENERAL MOTORS
20965713	GENERAL MOTORS
22846360	GENERAL MOTORS
95514644	GENERAL MOTORS
95515498	GENERAL MOTORS
13237766	OPEL
13338368	OPEL
13343451	OPEL
1605104	OPEL
1605179	OPEL
1605223	OPEL
1605366	OPEL
16586609	OPEL
22846362	OPEL
39021483	OPEL
542125	OPEL
95514644	OPEL
95515498	OPEL
13237767	SAAB
20978663	SAAB
95515498	VAUXHALL