



# BRAKE PAD

## P 23 151

The P 23 151 brake pad is synonymous with reliability

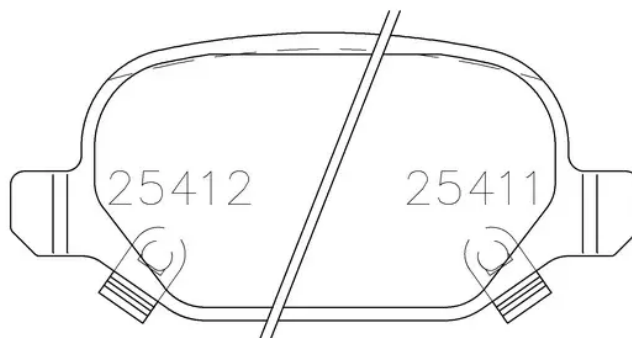
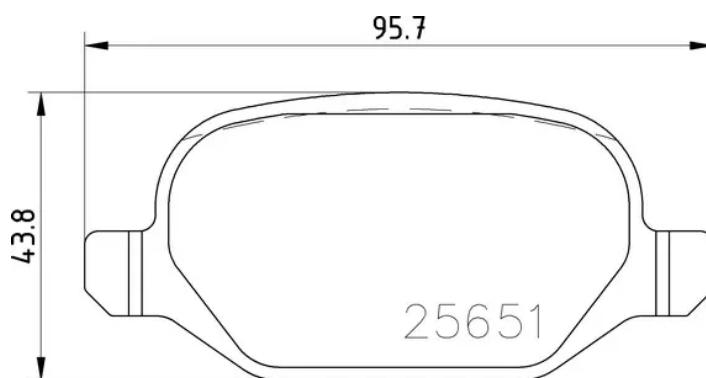
The Brembo brake pad guarantees ultimate safety when braking thanks to the use of more than 100 different compounds, designed according to the type of vehicle and use. Stopping distances reduced to a minimum, maximum driving comfort and silent operation are the most important features of Brembo materials. Brembo brake pads are supplied together with an extensive range of accessories and assembly kits for professional-standard installation.



- ✓ OE-equivalent
- ✓ Brembo quality
- ✓ ECE-R90 certificate
- ✓ Safety
- ✓ Performance
- ✓ Comfort
- ✓ With accessories

### Technical specifications

EAN code <b>8020584109748</b>	Axle <b>Rear</b>	Thickness <b>14 mm</b>
Width <b>96 mm</b>	Height <b>44 mm</b>	Braking system <b>TRW</b>
Wear indicator <b>Acoustic</b>	WVA number <b>25410,25411,25412</b>	Accessories <b>With accessories With brake caliper bolts</b>



## COMPATIBLE OE PART NUMBERS

068088919AA CHRYSLER

---

68088919AA CHRYSLER

---

00K68206120AA FIAT

---

68088919AA FIAT

---

68088919AB FIAT

---

68206120AA FIAT

---

77366388 FIAT

---

77366453 FIAT

---

77367514 FIAT

---

K68088919AA FIAT

---

K68088919AB FIAT

---