



BRAKE PAD

P 44 017

The P 44 017 brake pad is synonymous with reliability

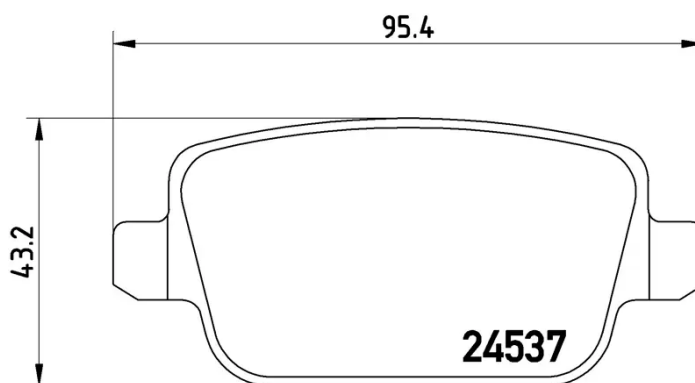
The Brembo brake pad guarantees ultimate safety when braking thanks to the use of more than 100 different compounds, designed according to the type of vehicle and use. Stopping distances reduced to a minimum, maximum driving comfort and silent operation are the most important features of Brembo materials. Brembo brake pads are supplied together with an extensive range of accessories and assembly kits for professional-standard installation.



- ✓ OE-equivalent
- ✓ Brembo quality
- ✓ ECE-R90 certificate
- ✓ Safety
- ✓ Performance
- ✓ Comfort
- ✓ With accessories

Technical specifications

EAN code 8020584060940	Axle Rear	Thickness 16 mm
Width 95 mm	Height 43 mm	Braking system TRW
Wear indicator Without	WVA number 24537	Accessories With accessories With brake caliper bolts With anti-squeal shim



COMPATIBLE VEHICLES

COMPATIBLE OE PART NUMBERS

LR003657	LAND ROVER
----------	------------

LR134697	LAND ROVER
----------	------------

30671576	VOLVO
----------	-------

30794553	VOLVO
----------	-------
