



BRAKE PAD

P 50 146

The P 50 146 brake pad is synonymous with reliability

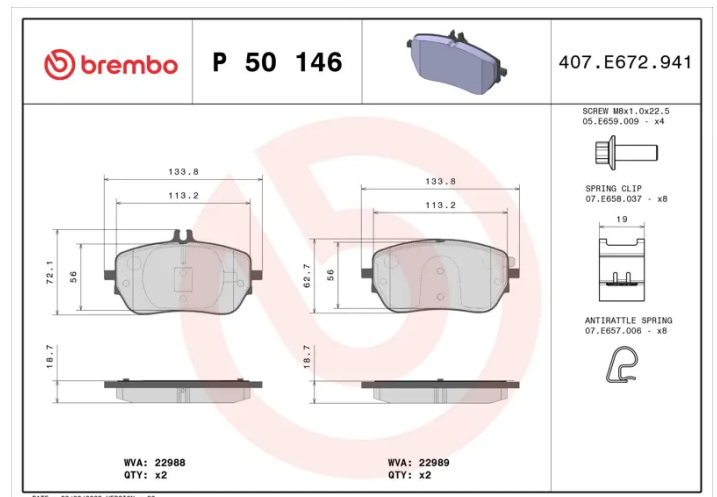
The Brembo brake pad guarantees ultimate safety when braking thanks to the use of more than 100 different compounds, designed according to the type of vehicle and use. Stopping distances reduced to a minimum, maximum driving comfort and silent operation are the most important features of Brembo materials. Brembo brake pads are supplied together with an extensive range of accessories and assembly kits for professional-standard installation.



- ✓ OE-equivalent
- ✓ Brembo quality
- ✓ ECE-R90 certificate
- ✓ Safety
- ✓ Performance
- ✓ Comfort
- ✓ With accessories

Technical specifications

EAN code 8020584115138	Axle Front	Thickness 19 mm
Width 134 mm	Height 72 mm	Braking system CBI
Wear indicator Prepared for wear indicator	WVA number 22988,22989	Accessories With anti-squeal shim With accessories With brake caliper bolts



COMPATIBLE VEHICLES

COMPATIBLE OE PART NUMBERS

0004205103	MERCEDES-BENZ
------------	---------------

0004206902	MERCEDES-BENZ
------------	---------------

0004207000	MERCEDES-BENZ
------------	---------------

A0004205103	MERCEDES-BENZ
-------------	---------------

A0004206902	MERCEDES-BENZ
-------------	---------------

A0004207000	MERCEDES-BENZ
-------------	---------------
