



BRAKE PAD

P 56 085

The P 56 085 brake pad is synonymous with reliability

The Brembo brake pad guarantees ultimate safety when braking thanks to the use of more than 100 different compounds, designed according to the type of vehicle and use. Stopping distances reduced to a minimum, maximum driving comfort and silent operation are the most important features of Brembo materials. Brembo brake pads are supplied together with an extensive range of accessories and assembly kits for professional-standard installation.



- ✓ OE-equivalent
- ✓ Brembo quality
- ✓ ECE-R90 certificate
- ✓ Safety
- ✓ Performance
- ✓ Comfort

Technical specifications

EAN code
8020584103371

Thickness
14 mm

Width
100 mm

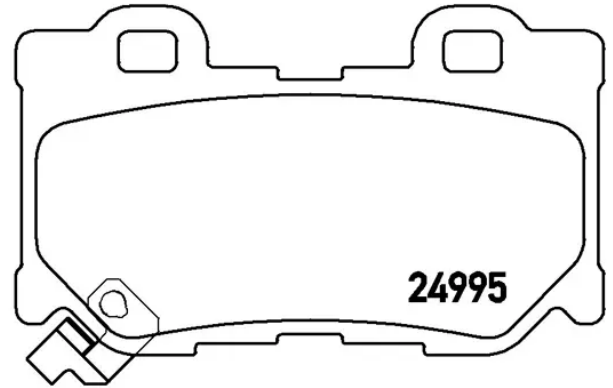
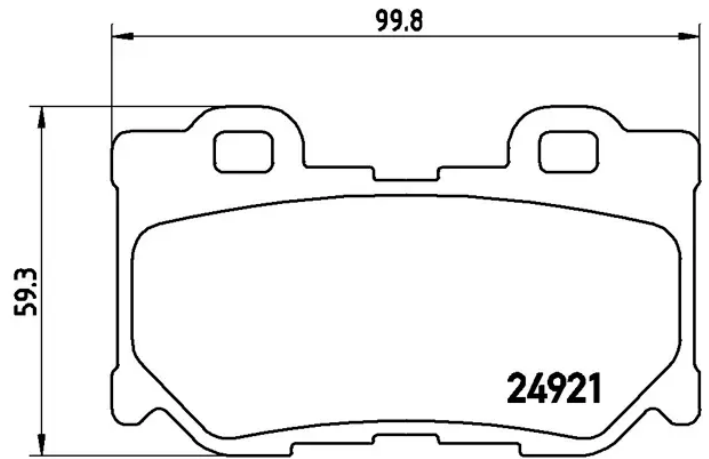
Height
59 mm

Braking system
Akebono

Wear indicator
Acoustic

WVA number
24995,24921

Accessories
With anti-squeal shim



COMPATIBLE OE PART NUMBERS

D40606HH0B

INFINITI