



BRAKE PAD

P 61 057

The P 61 057 brake pad is synonymous with reliability



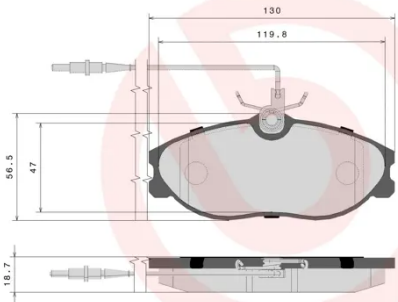

The Brembo brake pad guarantees ultimate safety when braking thanks to the use of more than 100 different compounds, designed according to the type of vehicle and use. Stopping distances reduced to a minimum, maximum driving comfort and silent operation are the most important features of Brembo materials. Brembo brake pads are supplied together with an extensive range of accessories and assembly kits for professional-standard installation.

- ✓ OE-equivalent
- ✓ Brembo quality
- ✓ ECE-R90 certificate
- ✓ Safety
- ✓ Performance
- ✓ Comfort
- ✓ With accessories



Technical specifications

EAN code 8020584056332	Axle Front	Thickness 19 mm
Width 130 mm	Height 57 mm	Braking system Lucas
Wear indicator Electric	WVA number 21674,21886	Accessories With accessories With anti-squeal shim With brake caliper bolts

	P 61 057		407.E672.525
			<small>SCREW M8x1,25x21 05.E659.000 - x4</small> 
<small>WVA: 21674 QTY: x4</small>			
<small>DATE : 09/09/2022 VERSION : 00</small>			

COMPATIBLE OE PART NUMBERS

1617254180	CITROËN
------------	---------

425132	CITROËN
--------	---------

425143	CITROËN
--------	---------

425144	CITROËN
--------	---------

425160	CITROËN
--------	---------

425206	CITROËN
--------	---------

E172042	CITROËN
---------	---------

E172058	CITROËN
---------	---------

E172116	CITROËN
---------	---------

E172522	CITROËN
---------	---------

E172554	CITROËN
---------	---------

1617254180	PEUGEOT
------------	---------

425132	PEUGEOT
--------	---------

425143	PEUGEOT
--------	---------

425144	PEUGEOT
--------	---------

425160	PEUGEOT
--------	---------

425206	PEUGEOT
--------	---------

E172042	PEUGEOT
---------	---------

E172058	PEUGEOT
---------	---------

E172116	PEUGEOT
---------	---------

E172522	PEUGEOT
---------	---------

E172554	PEUGEOT
---------	---------