



# BRAKE PAD PRIME CERAMIC P18029N

The P18029N NAO brake pad is  
synonymous with reliability

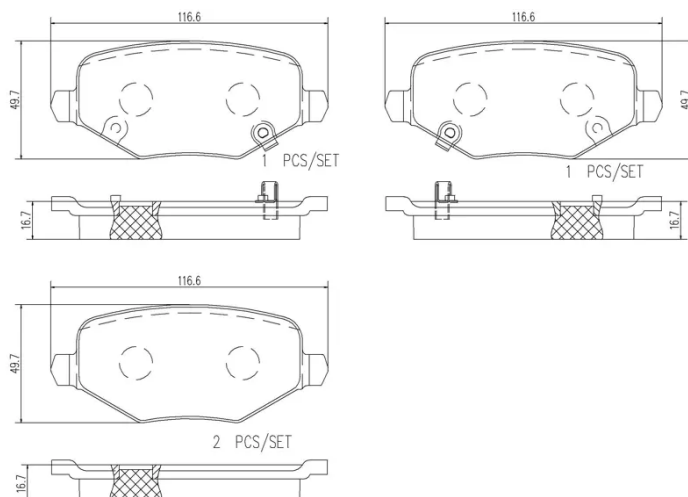
Brembo NAO brake pads stand out for their ultimate braking comfort, reduced friction wear and low dust mission, which makes for cleaner rims and reduced maintenance requirements. The advanced friction material in keeping with the strictest environmental standards is the main distinguishing feature of NAO compounds.

- ✓ OE-equivalent
- ✓ Brembo quality
- ✓ Safety
- ✓ Comfort
- ✓ Durability
- ✓ Dust reduction
- ✓ With accessories



## Technical specifications

EAN code <b>8020584082133</b>	Axle <b>Rear</b>	Thickness <b>17 mm</b>
Width <b>117 mm</b>	Height <b>50 mm</b>	Braking system <b>TRW</b>
Wear indicator <b>Acoustic</b>	WVA number <b>25845,25844,25843</b>	Accessories <b>With anti-squeal shim</b> <b>With accessories</b> <b>With piston clip</b>



COMPATIBLE VEHICLES

## COMPATIBLE OE PART NUMBERS

7B0698451G AUDI

---

068159138AA CHRYSLER

---

068192439AA CHRYSLER

---

068192439AB CHRYSLER

---

68159138AA CHRYSLER

---

68192439AA CHRYSLER

---

68192439AB CHRYSLER

---

68192439AA DODGE

---

8A8Z2V200A FORD USA

---

G2MJ2C453VA FORD USA

---

GU2J2C453CA FORD USA

---

BRSD1377 LINCOLN

---

G2MZ2V200AD LINCOLN

---

GU2Z2V200C LINCOLN

---

NBR1612 LINCOLN

---

7B0698451G SEAT

---

7B0698451G SKODA

---

7B0698451G VW

---