



BRAKE DISC

08.A114.10

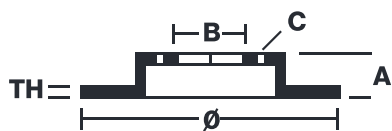
The **08.A114.10** brake disc is synonymous with reliability

The Brembo brake disc is fully interchangeable with an Original Equipment brake disc. The control of the entire production cycle allows Brembo to offer brake discs with outstanding performance levels, reliability, durability and comfort in all conditions of use. All Brembo brake discs are accompanied by the ECE-R90 homologation.

- ✓ OE-equivalent
- ✓ Brembo quality
- ✓ ECE-R90 certificate
- ✓ Safety



Technical specifications



EAN code
8020584016336

Axle
Rear

Diameter Ø
262 mm

Thickness (TH)
10 mm

Height (A)
61 mm

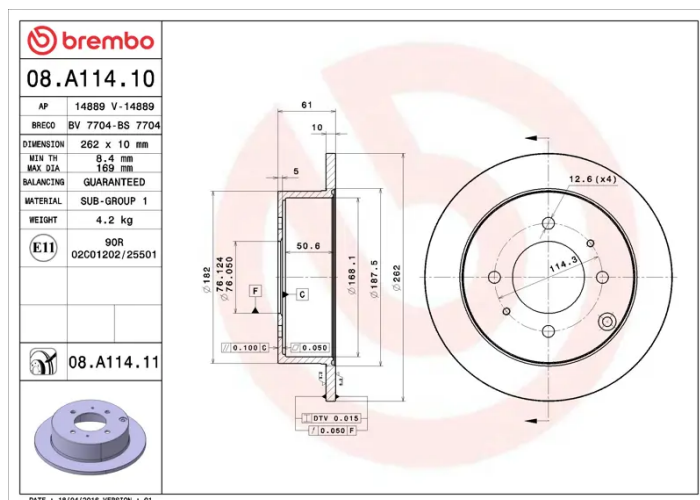
Number of holes (C)
4

Brake disc type
Solid

Centering (B)
76 mm

Min. thickness
8,4 mm

Tightening torque
100 Nm



COMPATIBLE VEHICLES

COMPATIBLE OE PART NUMBERS

5841138300	HYUNDAI
5841138310	HYUNDAI
584113C000	HYUNDAI
5841138310	HYUNDAI (BEIJING)
5841138300	KIA
5841138310	KIA
584113C000	KIA
5841138310	KIA (DYK)