



BRAKE DISC XTRA

08.A755.1X

The 08.A755.1X Xtra brake disc is synonymous with reliability

The Brembo Xtra brake disc features holes on the braking surface. The holes are designed to improve the cooling of the braking system, to generate greater fading resistance and grip in the initial stages of braking. The sports look is also enhanced by the presence of the UV paint.

- ✓ Brembo quality
- ✓ ECE-R90 certificate
- ✓ Performance
- ✓ Sports driving
- ✓ Sporty look
- ✓ Anti-corrosion



Technical specifications



EAN code
8020584321652

Axle
Rear

Diameter \varnothing
302 mm

Thickness (TH)
10 mm

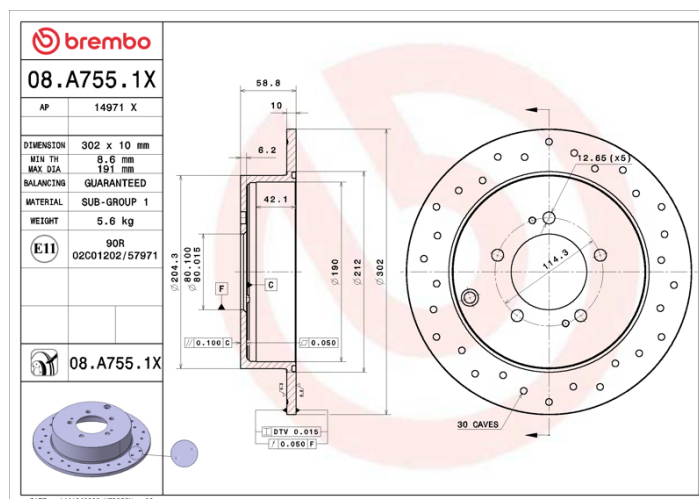
Height (A)
58,8 mm

Number of holes (C)
5

Brake disc type
Solid

Centering (B)
80 mm

Min. thickness
8,6 mm



COMPATIBLE VEHICLES

COMPATIBLE OE PART NUMBERS

1611500480	CITROËN
------------	---------

424962	CITROËN
--------	---------

4249F4	CITROËN
--------	---------

4615A035	MITSUBISHI
----------	------------

4615A192	MITSUBISHI
----------	------------

1611500480	PEUGEOT
------------	---------

424961	PEUGEOT
--------	---------

4249F4	PEUGEOT
--------	---------