



BRAKE DISC PAINTED

08.C309.11

The 08.C309.11 painted brake disc is synonymous with reliability

The Brembo brake disc with special UV paint treatment guarantees superior corrosion resistance for the product, thanks to the protective coating on the outer edges and on the disc hub. The UV paint not only gives the disc a clean, shiny appearance but is also beneficial for the environment as the water-based UV paint treatment does not require the use of chemical solvents and is a low energy consumption process.

- ✓ OE-equivalent
- ✓ Brembo quality
- ✓ ECE-R90 certificate
- ✓ Safety
- ✓ Anti-corrosion
- ✓ Fastening screws



Technical specifications



EAN code
8020584219003

Axle
Rear

Diameter Ø
290 mm

Thickness (TH)
12 mm

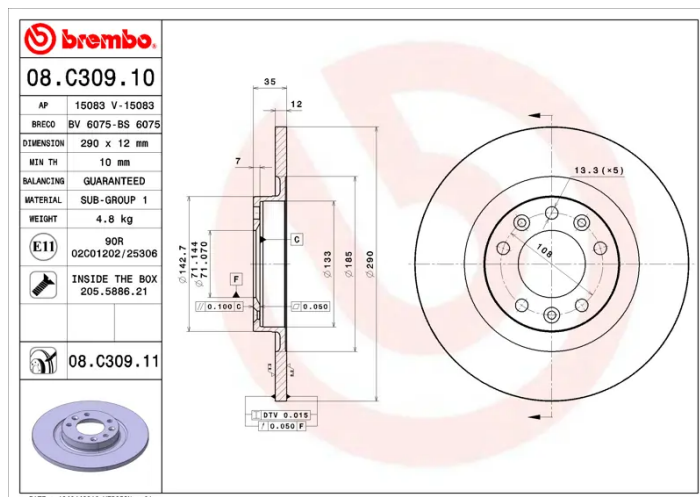
Height (A)
35 mm

Number of holes (C)
5

Brake disc type
Solid

Centering (B)
71 mm

Min. thickness
10 mm



COMPATIBLE VEHICLES

COMPATIBLE OE PART NUMBERS

1609583080	CITROËN
1642776480	CITROËN
1609583080	CITROËN (DF-PSA)
1609583080	DS
1642776480	DS
1687772680	DS
1609583080	OPEL
1642776480	OPEL
3637360	OPEL
1609583080	PEUGEOT
1642776480	PEUGEOT
1687772680	PEUGEOT
1609583080	PEUGEOT (DF-PSA)
SU001A6145	TOYOTA
1609583080	VAUXHALL
1642776480	VAUXHALL
3637360	VAUXHALL