



BRAKE DISC

09.6739.10

The **09.6739.10** brake disc is synonymous with reliability

The Brembo brake disc is fully interchangeable with an Original Equipment brake disc. The control of the entire production cycle allows Brembo to offer brake discs with outstanding performance levels, reliability, durability and comfort in all conditions of use. All Brembo brake discs are accompanied by the ECE-R90 homologation.

- ✓ OE-equivalent
- ✓ Brembo quality
- ✓ ECE-R90 certificate
- ✓ Safety
- ✓ High carbon



Technical specifications



EAN code
8020584673911

Axle
Front

Diameter Ø
430 mm

Thickness (TH)
50 mm

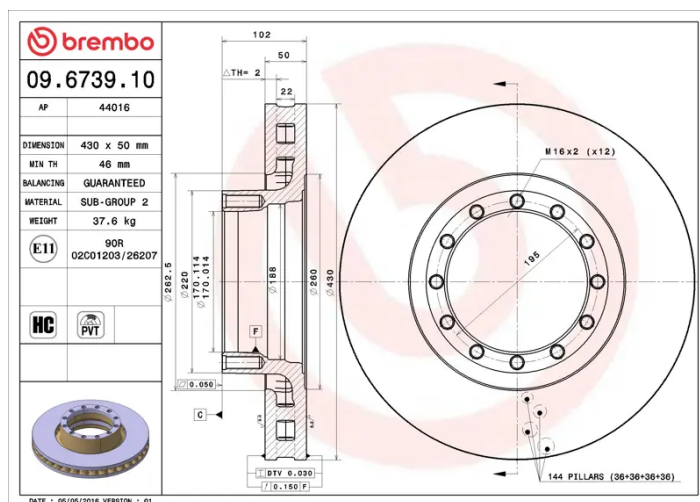
Height (A)
102 mm

Number of holes (C)
12

Brake disc type
Ventilated

Centering (B)
170 mm

Min. thickness
46 mm



COMPATIBLE VEHICLES

COMPATIBLE OE PART NUMBERS

1907631	IVECO
1908614	IVECO