



BRAKE DISC MAX

09.9468.75

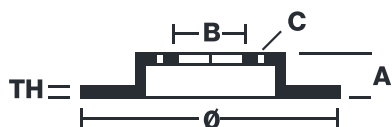
The 09.9468.75 Max brake disc is synonymous with reliability

The Brembo Max brake disc features grooves on the braking surface. The special shape of the grooves generates greater fading resistance and constant renewal of friction material, quickly restoring optimum braking conditions. The UV paint completes the sporty look.

- ✓ Brembo quality
- ✓ ECE-R90 certificate
- ✓ Performance
- ✓ Sports driving
- ✓ Sporty look
- ✓ Anti-corrosion



Technical specifications



EAN code
8020584037331

Axle
Front

Diameter Ø
300 mm

Thickness (TH)
25 mm

Height (A)
49 mm

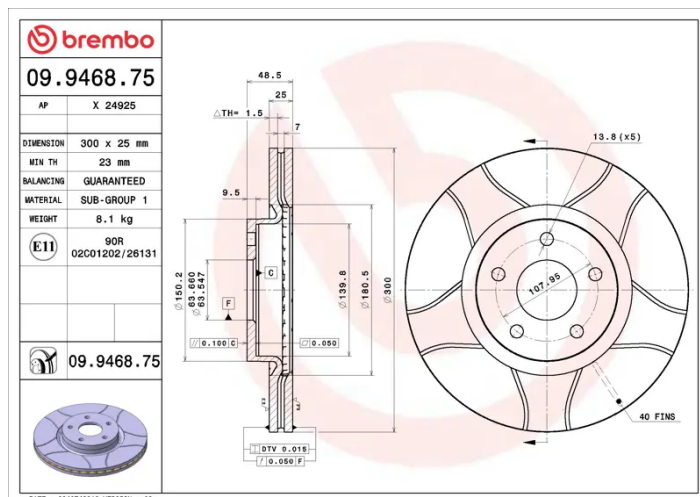
Number of holes (C)
5

Brake disc type
Ventilated

Centering (B)
64 mm

Min. thickness
23 mm

Tightening torque
100 Nm



COMPATIBLE VEHICLES

COMPATIBLE OE PART NUMBERS

1223664	FORD
---------	------

1223666	FORD
---------	------

1253964	FORD
---------	------

1253965	FORD
---------	------

1323560	FORD
---------	------

1373370	FORD
---------	------

1469083	FORD
---------	------

1500152	FORD
---------	------

1501059	FORD
---------	------

1520297	FORD
---------	------

3M512C375B1D	FORD
--------------	------

3M512C375BA	FORD
-------------	------

3M512C375BB	FORD
-------------	------

3M512C375BC	FORD
-------------	------

3M512C375BD	FORD
-------------	------

7M511125BA	FORD
------------	------

7M511125BB	FORD
------------	------

DV611125AA	FORD
------------	------

274510	VOLVO
--------	-------

2745100	VOLVO
---------	-------

312627190	VOLVO
-----------	-------

313624120	VOLVO
-----------	-------

314718190	VOLVO
-----------	-------