



# BRAKE DISC

## 09.9936.14

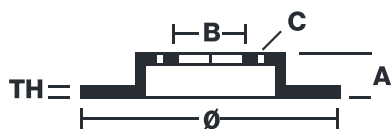
The **09.9936.14** brake disc is synonymous with reliability

The Brembo brake disc is fully interchangeable with an Original Equipment brake disc. The control of the entire production cycle allows Brembo to offer brake discs with outstanding performance levels, reliability, durability and comfort in all conditions of use. All Brembo brake discs are accompanied by the ECE-R90 homologation.

- ✓ OE-equivalent
- ✓ Brembo quality
- ✓ ECE-R90 certificate
- ✓ Safety
- ✓ High carbon
- ✓ Fastening screws



### Technical specifications



EAN code  
**8020584993613**

Axle  
**Front**

Diameter  $\varnothing$   
**262 mm**

Thickness (TH)  
**21 mm**

Height (A)  
**45 mm**

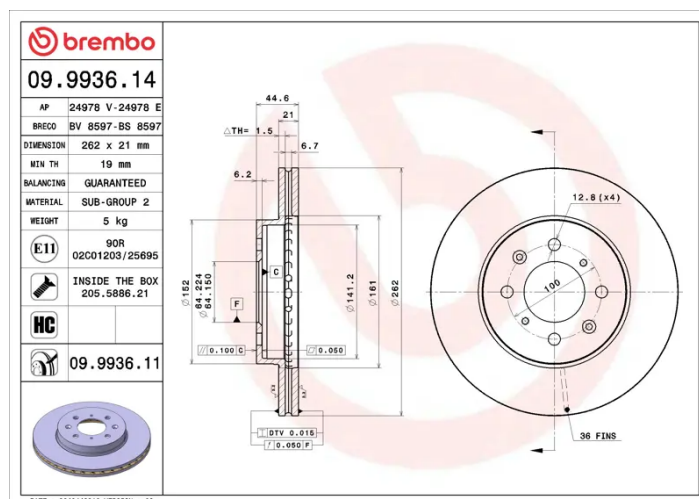
Number of holes (C)  
**4**

Brake disc type  
**Ventilated**

Centering (B)  
**64 mm**

Min. thickness  
**19 mm**

Tightening torque  
**108 Nm**



COMPATIBLE VEHICLES

## COMPATIBLE OE PART NUMBERS

45251S06000	HONDA
-------------	-------

45251S5DA10	HONDA
-------------	-------

45251S5HT10	HONDA
-------------	-------

45251S6DE10	HONDA
-------------	-------

45251SCC000	HONDA
-------------	-------

45251SCC900	HONDA
-------------	-------

45251SCC901	HONDA
-------------	-------

45251TARG00	HONDA
-------------	-------

45251TF3E00	HONDA
-------------	-------

45251TF3E01	HONDA
-------------	-------

45251TG5H00	HONDA
-------------	-------

45251TRDT00	HONDA
-------------	-------

45251TG5H00	HONDA (GAC)
-------------	-------------