



BRAKE DISC PAINTED

09.B266.11

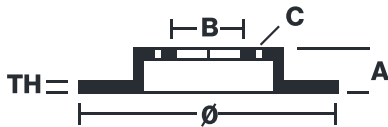
The 09.B266.11 painted brake disc is synonymous with reliability

The Brembo brake disc with special UV paint treatment guarantees superior corrosion resistance for the product, thanks to the protective coating on the outer edges and on the disc hub. The UV paint not only gives the disc a clean, shiny appearance but is also beneficial for the environment as the water-based UV paint treatment does not require the use of chemical solvents and is a low energy consumption process.

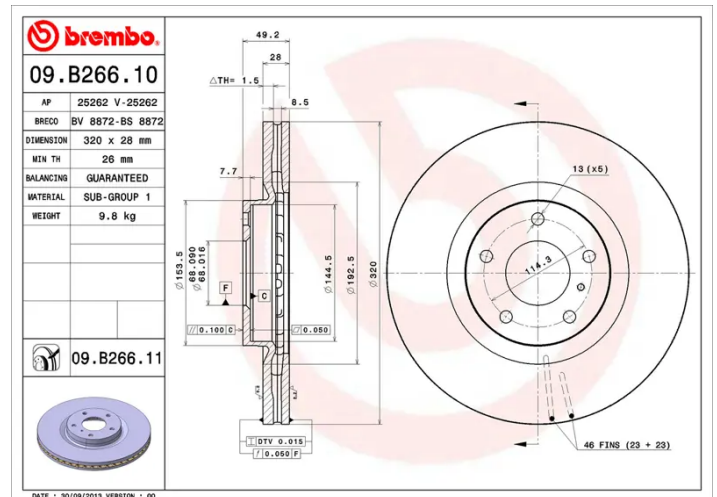
- ✓ OE-equivalent
- ✓ Brembo quality
- ✓ ECE-R90 certificate
- ✓ Safety
- ✓ Anti-corrosion



Technical specifications



EAN code 8020584032572	Axle Front	Diameter Ø 320 mm
Thickness (TH) 28 mm	Height (A) 49 mm	Number of holes (C) 5
Brake disc type Ventilated	Centering (B) 68 mm	Min. thickness 26 mm



COMPATIBLE VEHICLES

COMPATIBLE OE PART NUMBERS

40206CG010 INFINITI

40206EG000 INFINITI

40206EG00B INFINITI

402061AA0A NISSAN

402067Y000 NISSAN

402069N00A NISSAN

402069N00C NISSAN

40206CA000 NISSAN

40206CA010 NISSAN

40206EG000 NISSAN

40206EG00B NISSAN

40206ZA500 NISSAN

D0206ZA500 NISSAN

402061AA0A NISSAN (DFAC)

40206EG000 NISSAN (DFAC)
