



# BRAKE DISC PAINTED

## 09.C249.11

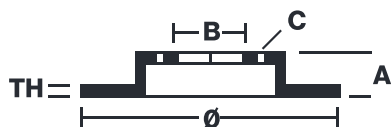
The 09.C249.11 painted brake disc is synonymous with reliability

The Brembo brake disc with special UV paint treatment guarantees superior corrosion resistance for the product, thanks to the protective coating on the outer edges and on the disc hub. The UV paint not only gives the disc a clean, shiny appearance but is also beneficial for the environment as the water-based UV paint treatment does not require the use of chemical solvents and is a low energy consumption process.

- ✓ OE-equivalent
- ✓ Brembo quality
- ✓ ECE-R90 certificate
- ✓ Safety
- ✓ High carbon
- ✓ Anti-corrosion
- ✓ Fastening screws



### Technical specifications



EAN code  
**8020584212745**

Axle  
**Front**

Diameter Ø  
**280 mm**

Thickness (TH)  
**23 mm**

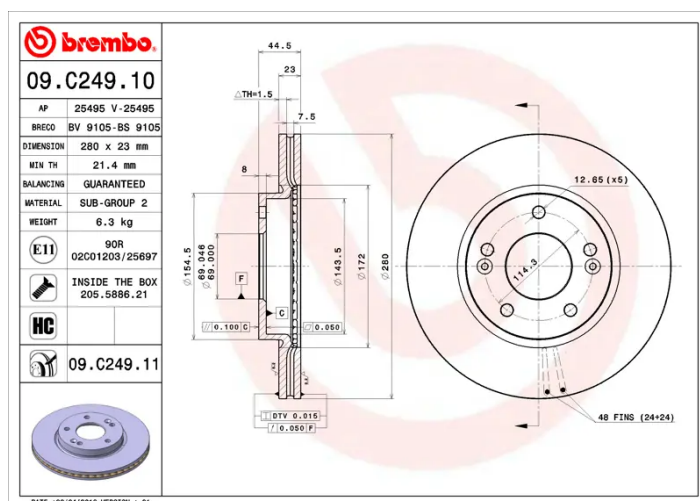
Height (A)  
**45 mm**

Number of holes (C)  
**5**

Brake disc type  
**Ventilated**

Centering (B)  
**69 mm**

Min. thickness  
**21,4 mm**



COMPATIBLE VEHICLES

## COMPATIBLE OE PART NUMBERS

517122V000 HYUNDAI

---

517123X000 HYUNDAI

---

517123Y000 HYUNDAI

---

517124V000 HYUNDAI

---

51712A6000 HYUNDAI

---

5517122V000 HYUNDAI

---

517123X000 HYUNDAI (BEIJING)

---

517124V000 HYUNDAI (BEIJING)

---

517123X000 INOKOM

---

517122V000 KIA

---

517123X000 KIA

---

51712A6000 KIA

---

51712A7000 KIA

---

51712M7000 KIA

---

551712A6000E KIA

---

517123X000 KIA (DYK)

---

517124V000 KIA (DYK)

---

51712A7000 NAZA

---