



BRAKE DISC XTRA

09.C351.1X

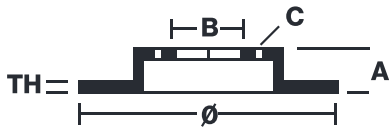
The 09.C351.1X Xtra brake disc is synonymous with reliability

The Brembo Xtra brake disc features holes on the braking surface. The holes are designed to improve the cooling of the braking system, to generate greater fading resistance and grip in the initial stages of braking. The sports look is also enhanced by the presence of the UV paint.

- ✓ Brembo quality
- ✓ ECE-R90 certificate
- ✓ Performance
- ✓ Sports driving
- ✓ Sporty look
- ✓ High carbon
- ✓ Anti-corrosion
- ✓ Fastening screws



Technical specifications



EAN code
8020584325520

Axle
Front

Diameter Ø
330 mm

Thickness (TH)
24 mm

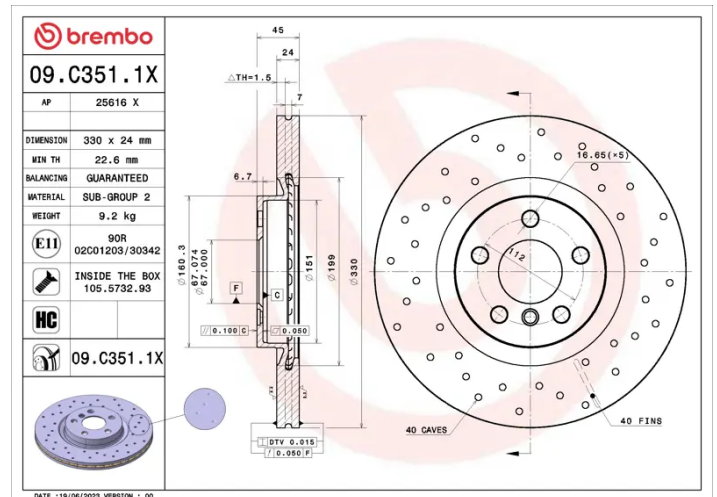
Height (A)
45 mm

Number of holes (C)
5

Brake disc type
Ventilated

Centering (B)
151 mm

Min. thickness
22,6 mm



COMPATIBLE VEHICLES

COMPATIBLE OE PART NUMBERS

3410688686	BMW
34106891080	BMW
34116860961	BMW
34116865713	BMW
34116860961	BMW (BRILLIANCE)
34106891080	MINI
34116860961	MINI
34116865713	MINI
34116860961	ZINORO