



BRAKE DISC PAINTED

09.E235.11

The 09.E235.11 painted brake disc is synonymous with reliability

The Brembo brake disc with special UV paint treatment guarantees superior corrosion resistance for the product, thanks to the protective coating on the outer edges and on the disc hub. The UV paint not only gives the disc a clean, shiny appearance but is also beneficial for the environment as the water-based UV paint treatment does not require the use of chemical solvents and is a low energy consumption process.

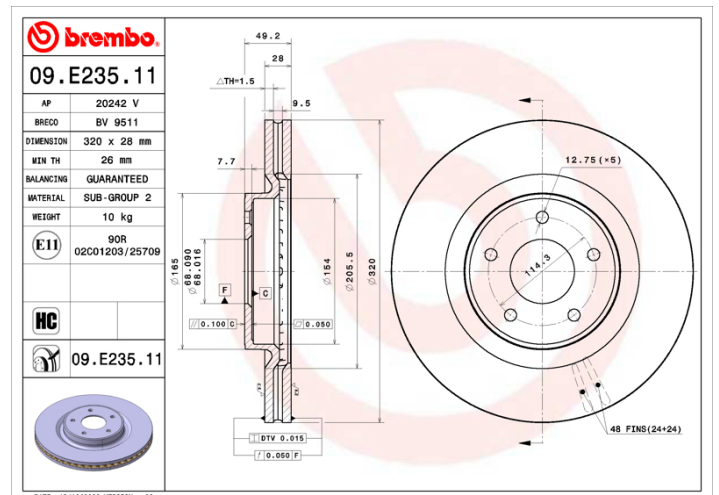
- ✓ OE-equivalent
- ✓ Brembo quality
- ✓ ECE-R90 certificate
- ✓ Safety
- ✓ High carbon
- ✓ Anti-corrosion



Technical specifications



EAN code 8020584313657	Axle Front	Diameter Ø 320 mm
Thickness (TH) 28 mm	Height (A) 49 mm	Number of holes (C) 5
Brake disc type Ventilated	Centering (B) 68 mm	Min. thickness 26 mm



COMPATIBLE VEHICLES

COMPATIBLE OE PART NUMBERS

402063JA0A INFINITI

402063JA0C INFINITI

402065BC0AC INFINITI

402063JA0A NISSAN

402063JA0C NISSAN

402064GA0A NISSAN

402065BC0AC NISSAN

420604GA0A NISSAN

402065BC0A NISSAN (DFAC)

402065BC0AC166 NISSAN (DFAC)
