



# DRUM

## 14.6755.10

**The 14.6755.10 drum is synonymous with reliability**

Brembo has developed several design solutions for drum brakes which combine multiple materials to reduce the overall weight. The most popular range of lamellar graphite cast iron drums is supplemented by cast iron drums with a steel sprocket flange and aluminium drums, whereby only the inner part of the drum on which the shoes operate are made of lamellar cast iron, namely the brake band. Additionally drums with built-in bearing kit and hub are added to this range.



- ✓ OE-equivalent
- ✓ Brembo quality
- ✓ Safety
- ✓ Durability

## Technical specifications



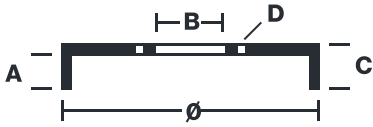
FIAI P.N.: 7750119

7599325

14.6755.10 | B

CUSTOMER P.N.: .....

Date 24.01.96



EAN code  
**8020584675519**

Axle  
**Rear**

Diameter  
**180 mm**

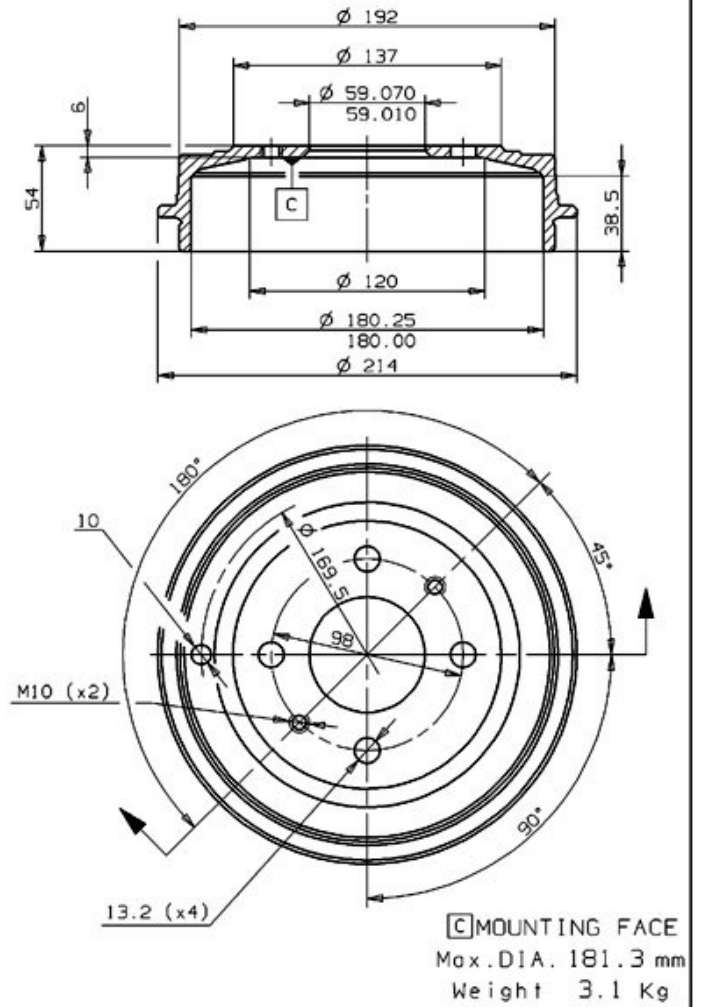
Width  
**38,7 mm**

Height  
**54**

Number of holes  
**4**

Centering  
**59 mm**

Max diameter  
**181,3 mm**



**COMPATIBLE VEHICLES**

## COMPATIBLE OE PART NUMBERS

46819776	FIAT
51863509	FIAT
51863510	FIAT
51900802	FIAT
51900803	FIAT
7599325	FIAT
7750119	FIAT
1541801	FORD
1544173	FORD
1680868	FORD
1680869	FORD
95511113AA	FORD
95511113BA	FORD
95511113CA	FORD
95511113DA	FORD
7599325	LANCIA
7750119	LANCIA
7599325	ZASTAVA