



# BRAKE PAD PRIME CERAMIC P06053N

The P06053N NAO brake pad is synonymous with reliability

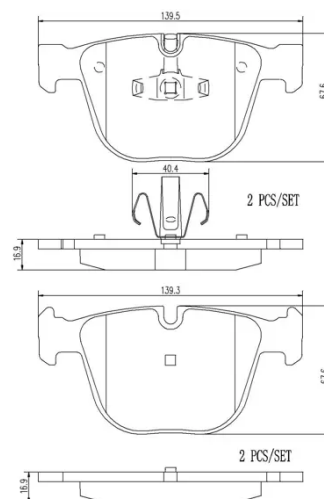
Brembo NAO brake pads stand out for their ultimate braking comfort, reduced friction wear and low dust mission, which makes for cleaner rims and reduced maintenance requirements. The advanced friction material in keeping with the strictest environmental standards is the main distinguishing feature of NAO compounds.

- ✓ OE-equivalent
- ✓ Brembo quality
- ✓ Safety
- ✓ Comfort
- ✓ Durability
- ✓ Dust reduction
- ✓ With accessories



## Technical specifications

EAN code <b>8020584087961</b>	Axle <b>Rear</b>	Thickness <b>17 mm</b>
Width <b>139 mm</b>	Height <b>68 mm</b>	Braking system <b>Teves</b>
Wear indicator <b>Prepared for wear indicator</b>	WVA number <b>23731,24695</b>	Accessories <b>With accessories With piston clip With anti-squeal shim</b>



COMPATIBLE VEHICLES

## COMPATIBLE OE PART NUMBERS

34212449286 BMW

---

34216775342 BMW

---

34216790966 BMW

---

34216793025 BMW

---