



BRAKE PAD PRIME CERAMIC P28023N

The P28023N NAO brake pad is synonymous with reliability

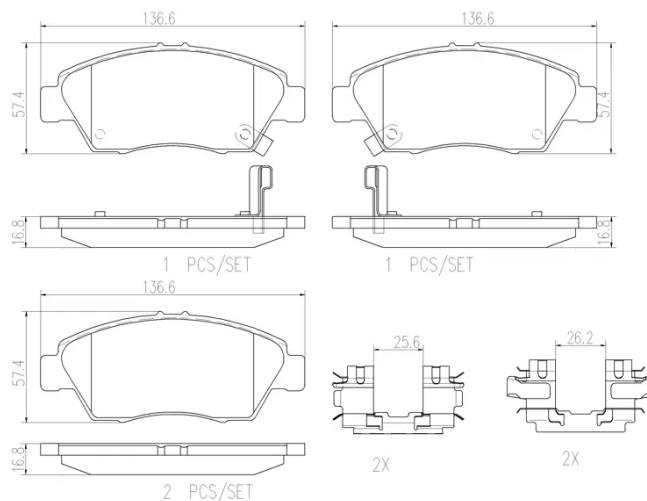
Brembo NAO brake pads stand out for their ultimate braking comfort, reduced friction wear and low dust mission, which makes for cleaner rims and reduced maintenance requirements. The advanced friction material in keeping with the strictest environmental standards is the main distinguishing feature of NAO compounds.

- ✓ OE-equivalent
- ✓ Brembo quality
- ✓ Safety
- ✓ Comfort
- ✓ Durability
- ✓ Dust reduction
- ✓ With accessories



Technical specifications

EAN code 8020584097649	Axle Front	Thickness 17 mm
Width 137 mm	Height 57 mm	Braking system Akebono
Wear indicator Acoustic	WVA number 21696,21695,21694	Accessories With anti-squeal shim



COMPATIBLE VEHICLES

COMPATIBLE OE PART NUMBERS

4502S7A000 ACURA

06450S5AE50 HONDA

06450S5AG00 HONDA

06450S5AJ00 HONDA

06450S5BJ00 HONDA

06450S7AJ00 HONDA

4502S04V10 HONDA

4502S04V00 HONDA

4502S04V01 HONDA

4502S04V02 HONDA

4502S04V03 HONDA

4502S04V10 HONDA

4502S04V11 HONDA

4502S04V12 HONDA

4502S5AE50 HONDA

4502S5AG00 HONDA

4502S5AG01 HONDA

4502S5AJ00 HONDA

4502S5AJ01 HONDA

4502S5BE00 HONDA

4502S5BJ00 HONDA

4502S5BJ01 HONDA

4502S5HT00 HONDA

4502S7A010 HONDA

4502SCC000 HONDA

4502SLNA01 HONDA

4502SLNA02 HONDA

4502S04V10 HONDA

4502S04V11 HONDA

4502S04V12 HONDA

4502SR3V00 HONDA

4502SR3V01 HONDA

4502SR3V02 HONDA

4502SR3V03 HONDA

4502SR3V10 HONDA

4502SR3V11 HONDA

4502SR3V12 HONDA

4502TG0T00 HONDA

4502TR2A00 HONDA

4502TR2A01 HONDA

H4502S04003 HONDA

H4502S7A003 HONDA

H4502SCC003 HONDA

586005260 ISUZU

5860052600 ISUZU

586005261	ISUZU
5860052610	ISUZU
586009207	ISUZU
5860092070	ISUZU
586014123	ISUZU
5860141230	ISUZU
586014456	ISUZU
5860144560	ISUZU
586014834	ISUZU
5860148340	ISUZU
AY040HN007	NISSAN