



# BRAKE PAD PRIME CERAMIC P50110N

**The P50110N NAO brake pad is synonymous with reliability**

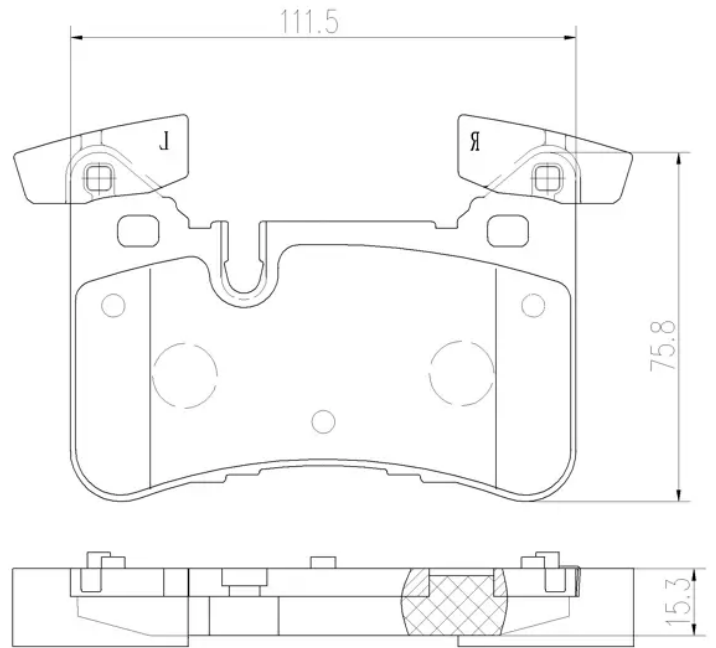
Brembo NAO brake pads stand out for their ultimate braking comfort, reduced friction wear and low dust mission, which makes for cleaner rims and reduced maintenance requirements. The advanced friction material in keeping with the strictest environmental standards is the main distinguishing feature of NAO compounds.

- ✓ OE-equivalent
- ✓ Brembo quality
- ✓ Safety
- ✓ Comfort
- ✓ Durability
- ✓ Dust reduction
- ✓ With accessories



## Technical specifications

EAN code	Axle	Thickness
<b>8020584089026</b>	<b>Rear</b>	<b>15 mm</b>
Width	Height	Braking system
<b>112 mm</b>	<b>76 mm</b>	<b>Brembo</b>
Wear indicator	WVA number	Accessories
<b>Prepared for wear indicator</b>	<b>24733</b>	<b>With counterweights</b> <b>With anti-squeal shim</b>



4 PCS/SET

## COMPATIBLE VEHICLES

## COMPATIBLE OE PART NUMBERS

0004203400	MERCEDES-BENZ
0054209020	MERCEDES-BENZ
0064207820	MERCEDES-BENZ
0074209320	MERCEDES-BENZ
A0004203400	MERCEDES-BENZ
A0054209020	MERCEDES-BENZ
A0064207820	MERCEDES-BENZ
A0074209320	MERCEDES-BENZ