

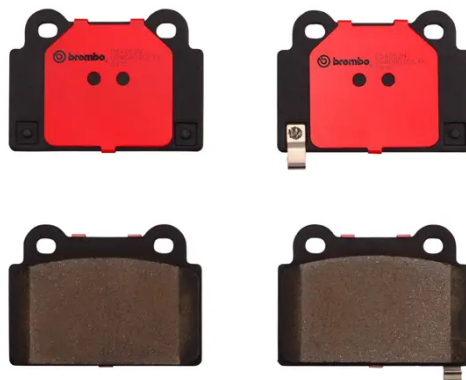


BRAKE PAD PRIME CERAMIC P54052N

The P54052N NAO brake pad is synonymous with reliability

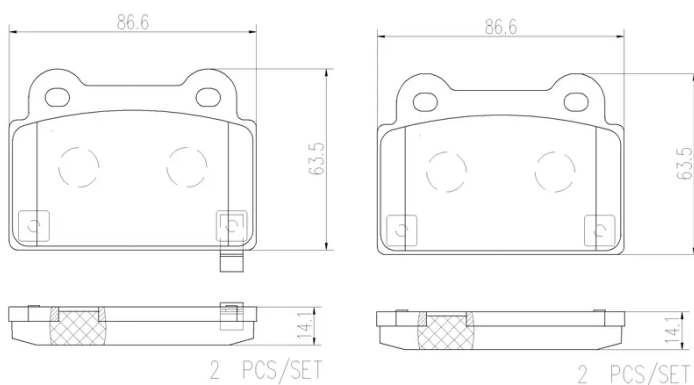
Brembo NAO brake pads stand out for their ultimate braking comfort, reduced friction wear and low dust mission, which makes for cleaner rims and reduced maintenance requirements. The advanced friction material in keeping with the strictest environmental standards is the main distinguishing feature of NAO compounds.

- ✓ OE-equivalent
- ✓ Brembo quality
- ✓ Safety
- ✓ Comfort
- ✓ Durability
- ✓ Dust reduction
- ✓ With accessories



Technical specifications

EAN code 8020584083420	Axle Rear	Thickness 14 mm
Width 87 mm	Height 64 mm	Braking system Brembo
Wear indicator Acoustic	WVA number 24849,24827	Accessories With anti-squeal shim



COMPATIBLE VEHICLES

COMPATIBLE OE PART NUMBERS

460SA584 MITSUBISHI

460SA695 MITSUBISHI

460SB924 MITSUBISHI

460SC025 MITSUBISHI
