



BRAKE PAD PRIME CERAMIC P83086N

The P83086N NAO brake pad is synonymous with reliability

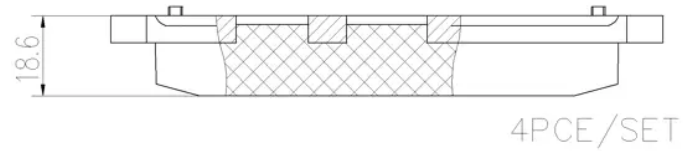
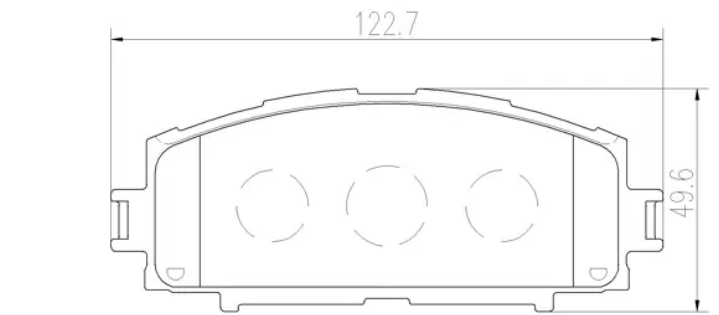
Brembo NAO brake pads stand out for their ultimate braking comfort, reduced friction wear and low dust mission, which makes for cleaner rims and reduced maintenance requirements. The advanced friction material in keeping with the strictest environmental standards is the main distinguishing feature of NAO compounds.

- ✓ OE-equivalent
- ✓ Brembo quality
- ✓ Safety
- ✓ Comfort
- ✓ Durability
- ✓ Dust reduction
- ✓ With accessories

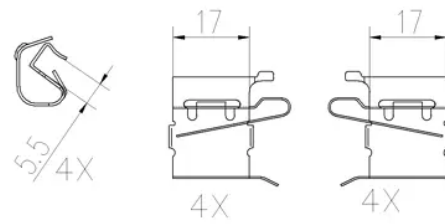


Technical specifications

| | | |
|-----------------------------------|----------------------------|---|
| EAN code 8020584099797 | Axle Front | Thickness 19 mm |
| Width 123 mm | Height 50 mm | Braking system Akebono |
| Wear indicator Acoustic | WVA number 24347 | Accessories With anti-squeal shim |



4PCE/SET



COMPATIBLE VEHICLES

COMPATIBLE OE PART NUMBERS

| | |
|------------|------------|
| 3501140G08 | GREAT WALL |
| 0446552180 | TOYOTA |
| 0446552260 | TOYOTA |
| 0446562260 | TOYOTA |