



BRAKE PAD PRIME CERAMIC P85099N

The P85099N NAO brake pad is
synonymous with reliability

Brembo NAO brake pads stand out for their ultimate braking comfort, reduced friction wear and low dust mission, which makes for cleaner rims and reduced maintenance requirements. The advanced friction material in keeping with the strictest environmental standards is the main distinguishing feature of NAO compounds.

- ✓ OE-equivalent
- ✓ Brembo quality
- ✓ Safety
- ✓ Comfort
- ✓ Durability
- ✓ Dust reduction
- ✓ With accessories



Technical specifications

EAN code
8020584100165

Axle
Rear

Thickness
18 mm

Width
116 mm

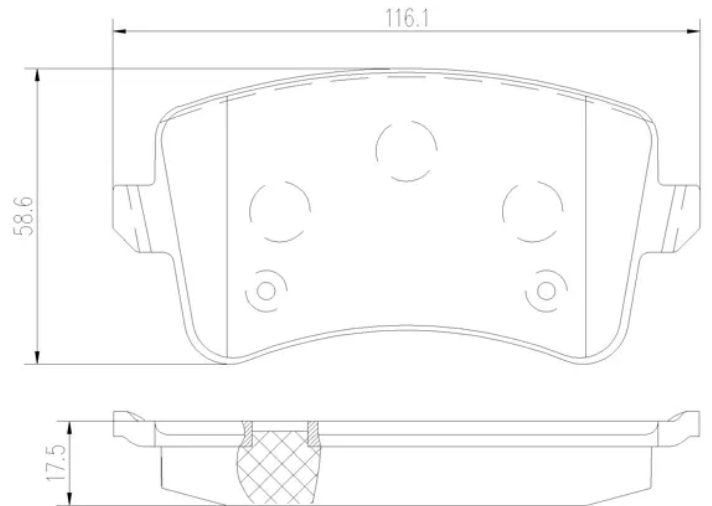
Height
59 mm

Braking system
Lucas

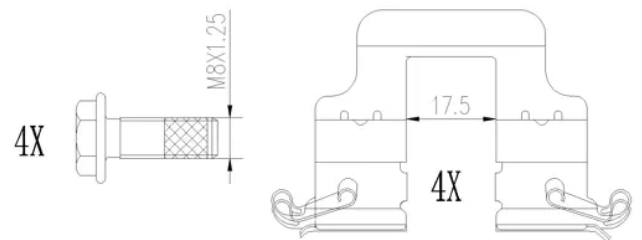
Wear indicator
Without

WVA number
24606

Accessories
**With accessories
With anti-squeal
shim
With brake caliper
bolts**



4PCS/SET



COMPATIBLE VEHICLES

COMPATIBLE OE PART NUMBERS

8K0698451A	AUDI
8K0698451B	AUDI
8K0698451C	AUDI
8K0698451F	AUDI
8K0698451A	SEAT
8K0698451B	SEAT
8K0698451C	SEAT
8K0698451F	SEAT
8K0698451A	SKODA
8K0698451B	SKODA
8K0698451C	SKODA
8K0698451F	SKODA
8K0098601E	VW
8K0098601F	VW
8K0698451A	VW
8K0698451B	VW
8K0698451C	VW
8K0698451F	VW