



BRAKE PAD

P 10 006

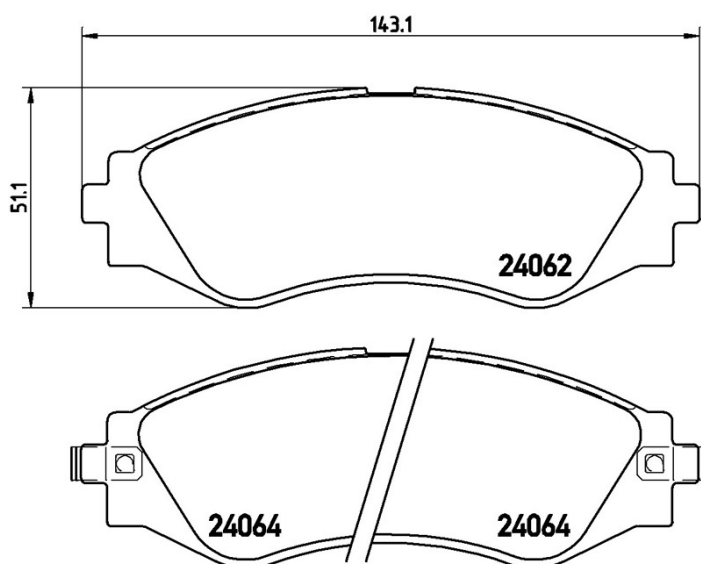
The P 10 006 brake pad is synonymous with reliability

The Brembo brake pad guarantees ultimate safety when braking thanks to the use of more than 100 different compounds, designed according to the type of vehicle and use. Stopping distances reduced to a minimum, maximum driving comfort and silent operation are the most important features of Brembo materials. Brembo brake pads are supplied together with an extensive range of accessories and assembly kits for professional-standard installation.

- ✓ OE-equivalent
- ✓ Brembo quality
- ✓ ECE-R90 certificate
- ✓ Safety
- ✓ Performance
- ✓ Comfort

Technical specifications

EAN code	Axle	Thickness
8020584060056	Front	18 mm
Width	Height	Braking system
143 mm	51 mm	Sumitomo
Wear indicator	WVA number	
Acoustic	24062,24063,24064	



COMPATIBLE VEHICLES

COMPATIBLE OE PART NUMBERS

96245178	CHEVROLET
----------	-----------

96253367	CHEVROLET
----------	-----------

96253382	CHEVROLET
----------	-----------

96253383	CHEVROLET
----------	-----------

96391891	CHEVROLET
----------	-----------

96475176	CHEVROLET
----------	-----------

54510014	CHEVROLET
----------	-----------

54510018	CHEVROLET
----------	-----------

54510020	CHEVROLET
----------	-----------

96446742	DAEWOO
----------	--------

96495164	DAEWOO
----------	--------

96843089	DAEWOO
----------	--------