



BRAKE PAD XTRA

P 23 154X

The P 23 154X Xtra brake pad is synonymous with reliability

Brembo Xtra brake pads, developed to enhance the advantages of the Xtra and Max discs, are made using the special BRM X L01 compound which consists of more than 30 different components. Compared with the compound used for original-equivalent pads, the new solution assures a higher friction coefficient, which translates to more precise and stable braking, at both high and low temperatures. All this makes for greater driving comfort and improved pedal modularity, without compromising the product's mileage output.



- ✓ OE-equivalent
- ✓ Brembo quality
- ✓ ECE-R90 certificate
- ✓ Safety
- ✓ Performance
- ✓ Sports driving

Technical specifications

EAN code
8020584068731

Axle
Front

Thickness
16 mm

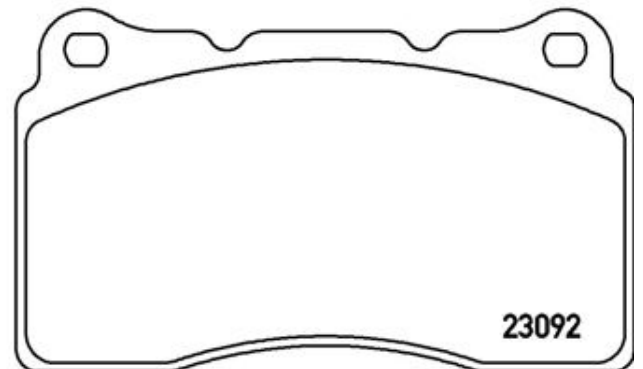
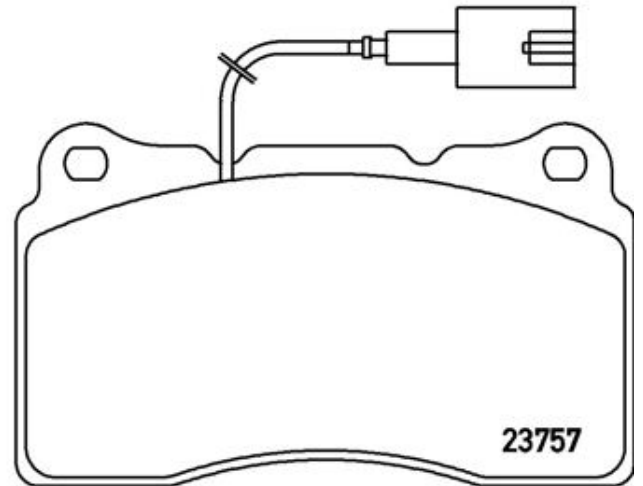
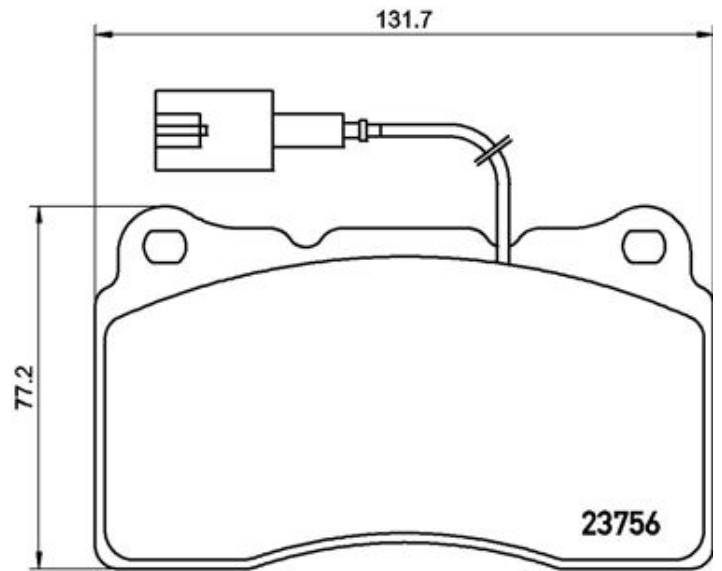
Width
132 mm

Height
77 mm

Braking system
Brembo

Wear indicator
Electric

WVA number
23092,23756,23757



COMPATIBLE VEHICLES

COMPATIBLE OE PART NUMBERS

77366389

ALFA ROMEO