



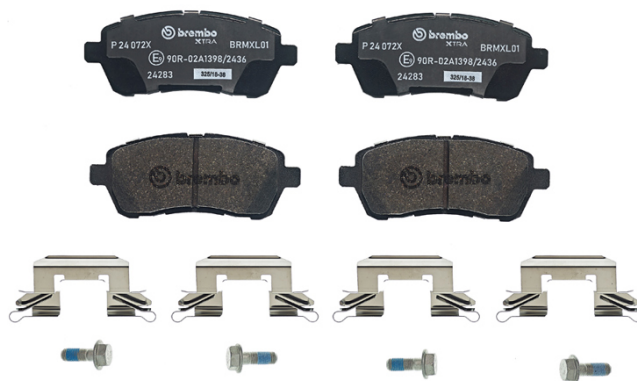
BRAKE PAD XTRA

P 24 072X

The P 24 072X Xtra brake pad is synonymous with reliability

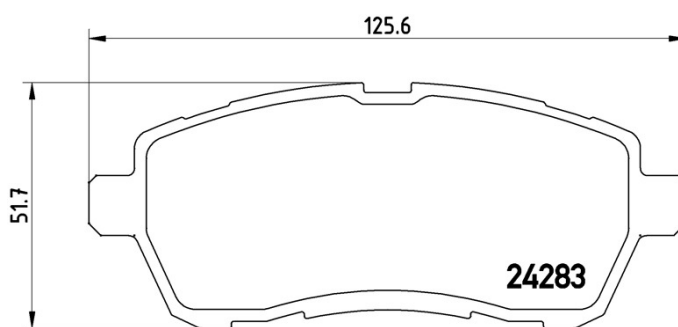
Brembo Xtra brake pads, developed to enhance the advantages of the Xtra and Max discs, are made using the special BRM X L01 compound which consists of more than 30 different components. Compared with the compound used for original-equivalent pads, the new solution assures a higher friction coefficient, which translates to more precise and stable braking, at both high and low temperatures. All this makes for greater driving comfort and improved pedal modularity, without compromising the product's mileage output.

- ✓ OE-equivalent
- ✓ Brembo quality
- ✓ ECE-R90 certificate
- ✓ Safety
- ✓ Performance
- ✓ Sports driving
- ✓ With accessories



Technical specifications

EAN code	Axle	Thickness
8020584068762	Front	18 mm
Width	Height	Braking system
126 mm	52 mm	Lucas
Wear indicator	WVA number	Accessories
Without	24283	With accessories With brake caliper bolts



COMPATIBLE VEHICLES

COMPATIBLE OE PART NUMBERS

04465B1310	DAIHATSU
04491B1030	DAIHATSU
04491B1031	DAIHATSU
04491B1032	DAIHATSU
1550219	FORD
1676630	FORD
1719275	FORD
1749322	FORD
1788734	FORD
1848518	FORD
1855307	FORD
8V512K021AA	FORD
8V512K021AB	FORD
8V512K021BA	FORD
8V512K021BB	FORD
8V512K021CA	FORD
AE8Z2001A	FORD
AE8Z2001B	FORD
AE8Z2001C	FORD
MAE8Z2001C	FORD
ME8V5J2K021AA	FORD
8V5Z2001B	FORD ASIA & OCEANIA
8V5Z2001C	FORD ASIA & OCEANIA
DNY03328Z	FORD ASIA & OCEANIA
DNY03328Z	FORD AUSTRALIA
D0YN3328Z	MAZDA
DNY03328Z	MAZDA
5581071L50	SUZUKI
5581071L50000	SUZUKI
04491B1030	TOYOTA
04491B1031	TOYOTA