



BRAKE PAD

P 30 024

The P 30 024 brake pad is synonymous with reliability

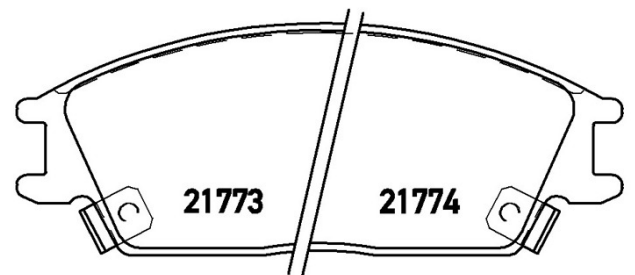
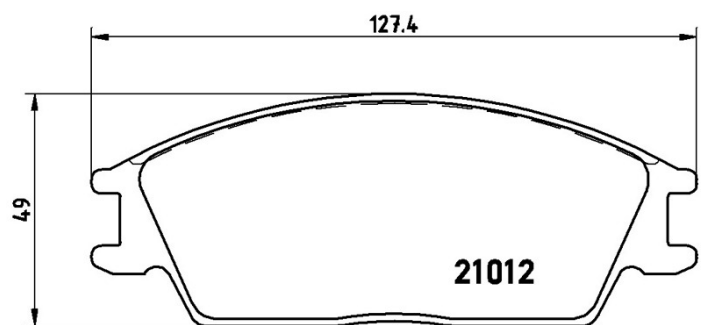
The Brembo brake pad guarantees ultimate safety when braking thanks to the use of more than 100 different compounds, designed according to the type of vehicle and use. Stopping distances reduced to a minimum, maximum driving comfort and silent operation are the most important features of Brembo materials. Brembo brake pads are supplied together with an extensive range of accessories and assembly kits for professional-standard installation.

- ✓ OE-equivalent
- ✓ Brembo quality
- ✓ ECE-R90 certificate
- ✓ Safety
- ✓ Performance
- ✓ Comfort



Technical specifications

EAN code	Axle	Thickness
8020584060629	Front	15 mm
Width	Height	Braking system
127 mm	49 mm	Akebono
Wear indicator	WVA number	
Acoustic	21012,21773,21774	



COMPATIBLE VEHICLES

COMPATIBLE OE PART NUMBERS

45022SA6600	HONDA
-------------	-------

45022SA6N50	HONDA
-------------	-------

45022SA6N52	HONDA
-------------	-------

581011CA00	HYUNDAI
------------	---------

5810122A00	HYUNDAI
------------	---------

5810122A10	HYUNDAI
------------	---------

5810124B00	HYUNDAI
------------	---------

5810124C00	HYUNDAI
------------	---------

5810125A00	HYUNDAI
------------	---------

5810125A10	HYUNDAI
------------	---------

5810125A20	HYUNDAI
------------	---------

5810128A10	HYUNDAI
------------	---------

5820228A00	HYUNDAI
------------	---------

AL004M1124	HYUNDAI
------------	---------