



BRAKE PAD

P 50 120

The P 50 120 brake pad is synonymous with reliability

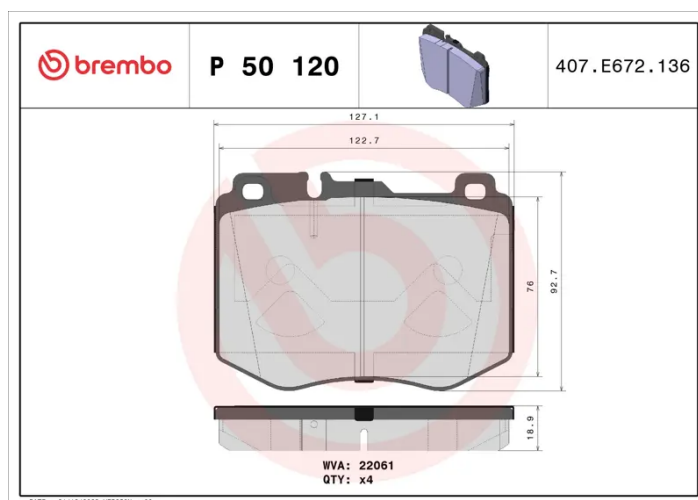
The Brembo brake pad guarantees ultimate safety when braking thanks to the use of more than 100 different compounds, designed according to the type of vehicle and use. Stopping distances reduced to a minimum, maximum driving comfort and silent operation are the most important features of Brembo materials. Brembo brake pads are supplied together with an extensive range of accessories and assembly kits for professional-standard installation.

- ✓ OE-equivalent
- ✓ Brembo quality
- ✓ ECE-R90 certificate
- ✓ Safety
- ✓ Performance
- ✓ Comfort



Technical specifications

EAN code 8020584112632	Axle Front	Thickness 19 mm
Width 128 mm	Height 93 mm	Braking system Brembo
Wear indicator Prepared for wear indicator	WVA number 22061	Accessories With anti-squeal shim



COMPATIBLE VEHICLES

COMPATIBLE OE PART NUMBERS

0004206700 MERCEDES-BENZ

0004208000 MERCEDES-BENZ

0004208203 MERCEDES-BENZ

0004208600 MERCEDES-BENZ

0004208803 MERCEDES-BENZ

0084201820 MERCEDES-BENZ

008420182064 MERCEDES-BENZ

0084201920 MERCEDES-BENZ

A0004206700 MERCEDES-BENZ

A0004208203 MERCEDES-BENZ

A0004209603 MERCEDES-BENZ

A008420182064 MERCEDES-BENZ

A0084201920 MERCEDES-BENZ
