



BRAKE PAD

P 50 123

The P 50 123 brake pad is synonymous with reliability

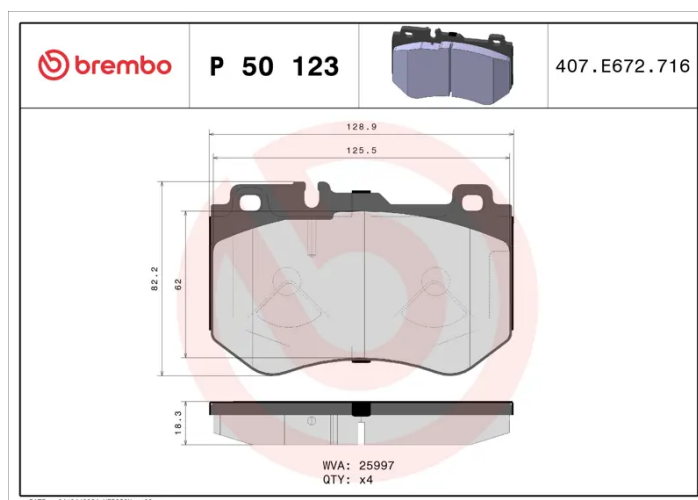
The Brembo brake pad guarantees ultimate safety when braking thanks to the use of more than 100 different compounds, designed according to the type of vehicle and use. Stopping distances reduced to a minimum, maximum driving comfort and silent operation are the most important features of Brembo materials. Brembo brake pads are supplied together with an extensive range of accessories and assembly kits for professional-standard installation.

- ✓ OE-equivalent
- ✓ Brembo quality
- ✓ ECE-R90 certificate
- ✓ Safety
- ✓ Performance
- ✓ Comfort



Technical specifications

EAN code 8020584080177	Axle Front	Thickness 19 mm
Width 130 mm	Height 82 mm	Braking system Brembo
Wear indicator Prepared for wear indicator	WVA number 25997	Accessories With anti-squeal shim



COMPATIBLE VEHICLES

COMPATIBLE OE PART NUMBERS

0004209503	MERCEDES-BENZ
------------	---------------

0084201720	MERCEDES-BENZ
------------	---------------

A0004209503	MERCEDES-BENZ
-------------	---------------

A0084201720	MERCEDES-BENZ
-------------	---------------
