



BRAKE PAD

P 65 043

The P 65 043 brake pad is synonymous with reliability

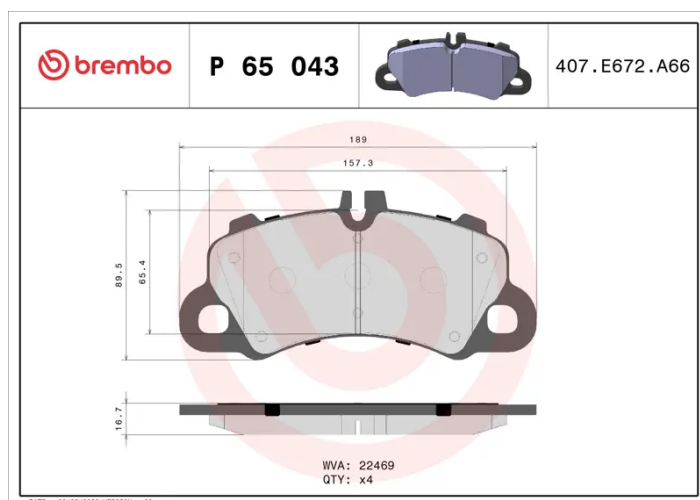
The Brembo brake pad guarantees ultimate safety when braking thanks to the use of more than 100 different compounds, designed according to the type of vehicle and use. Stopping distances reduced to a minimum, maximum driving comfort and silent operation are the most important features of Brembo materials. Brembo brake pads are supplied together with an extensive range of accessories and assembly kits for professional-standard installation.

- ✓ OE-equivalent
- ✓ Brembo quality
- ✓ ECE-R90 certificate
- ✓ Safety
- ✓ Performance
- ✓ Comfort



Technical specifications

EAN code	Axle	Thickness
8020584115558	Front	17 mm
Width	Height	
189 mm	90 mm	
Wear indicator	WVA number	Accessories
Prepared for wear indicator	22469	With anti-squeal shim



COMPATIBLE VEHICLES

COMPATIBLE OE PART NUMBERS

95B698151AA	PORSCHE
-------------	---------

95B698151AN	PORSCHE
-------------	---------

95B698151AQ	PORSCHE
-------------	---------

9Y0698151	PORSCHE
-----------	---------

9Y0698151A	PORSCHE
------------	---------

9Y0698151AN	PORSCHE
-------------	---------

9Y0698151AR	PORSCHE
-------------	---------

9Y0698151R	PORSCHE
------------	---------

9Y0698151T	PORSCHE
------------	---------